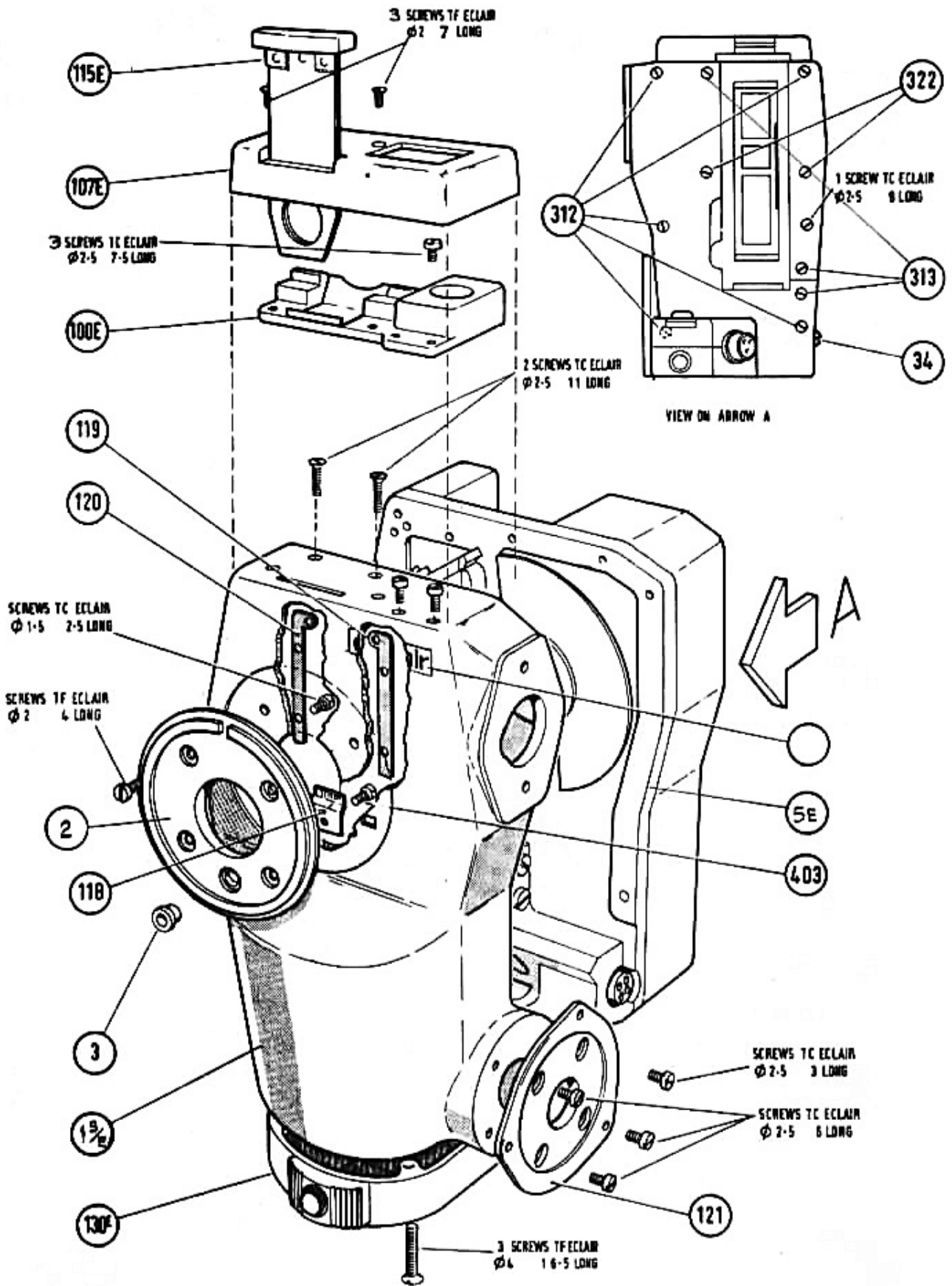
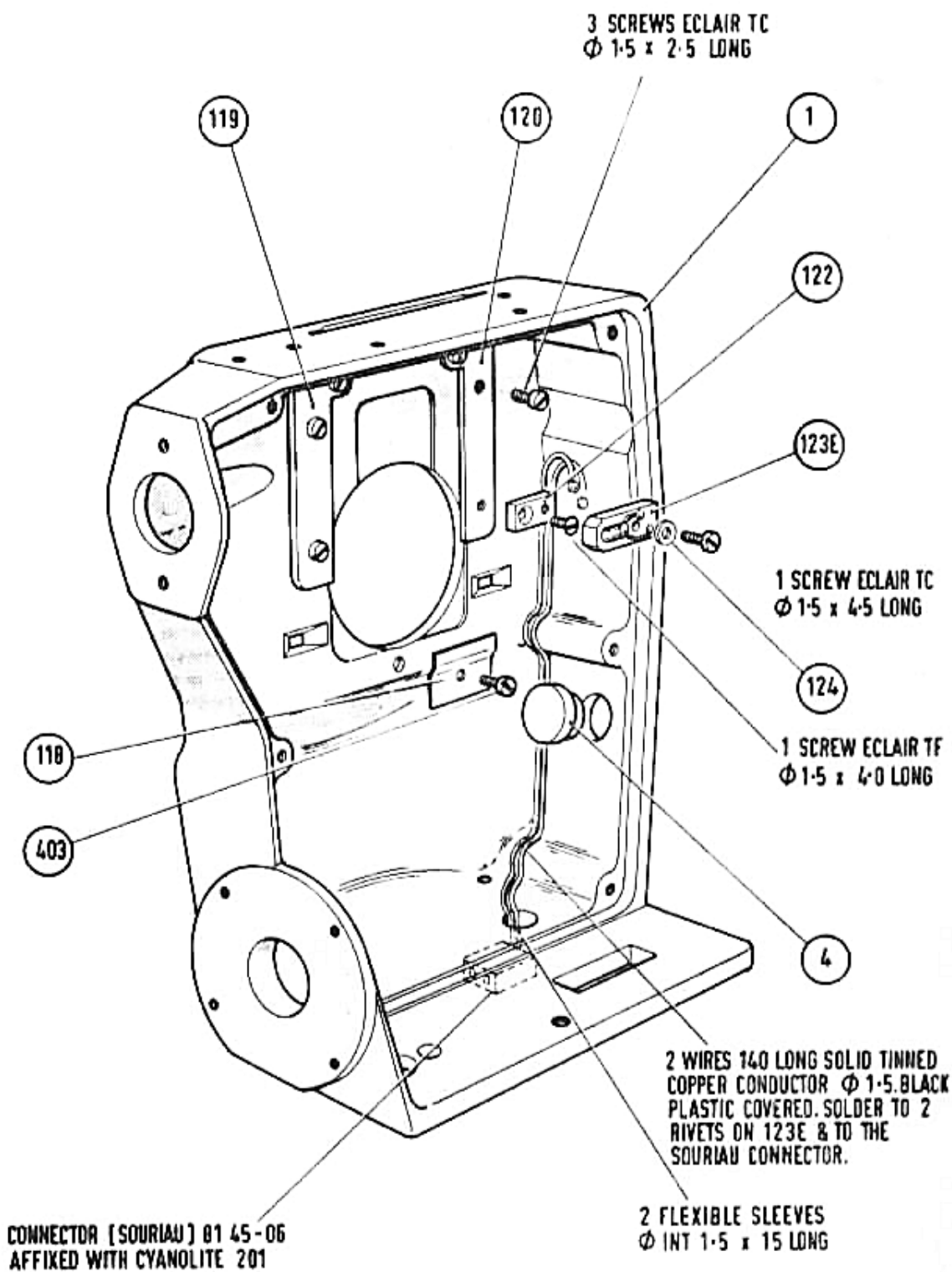


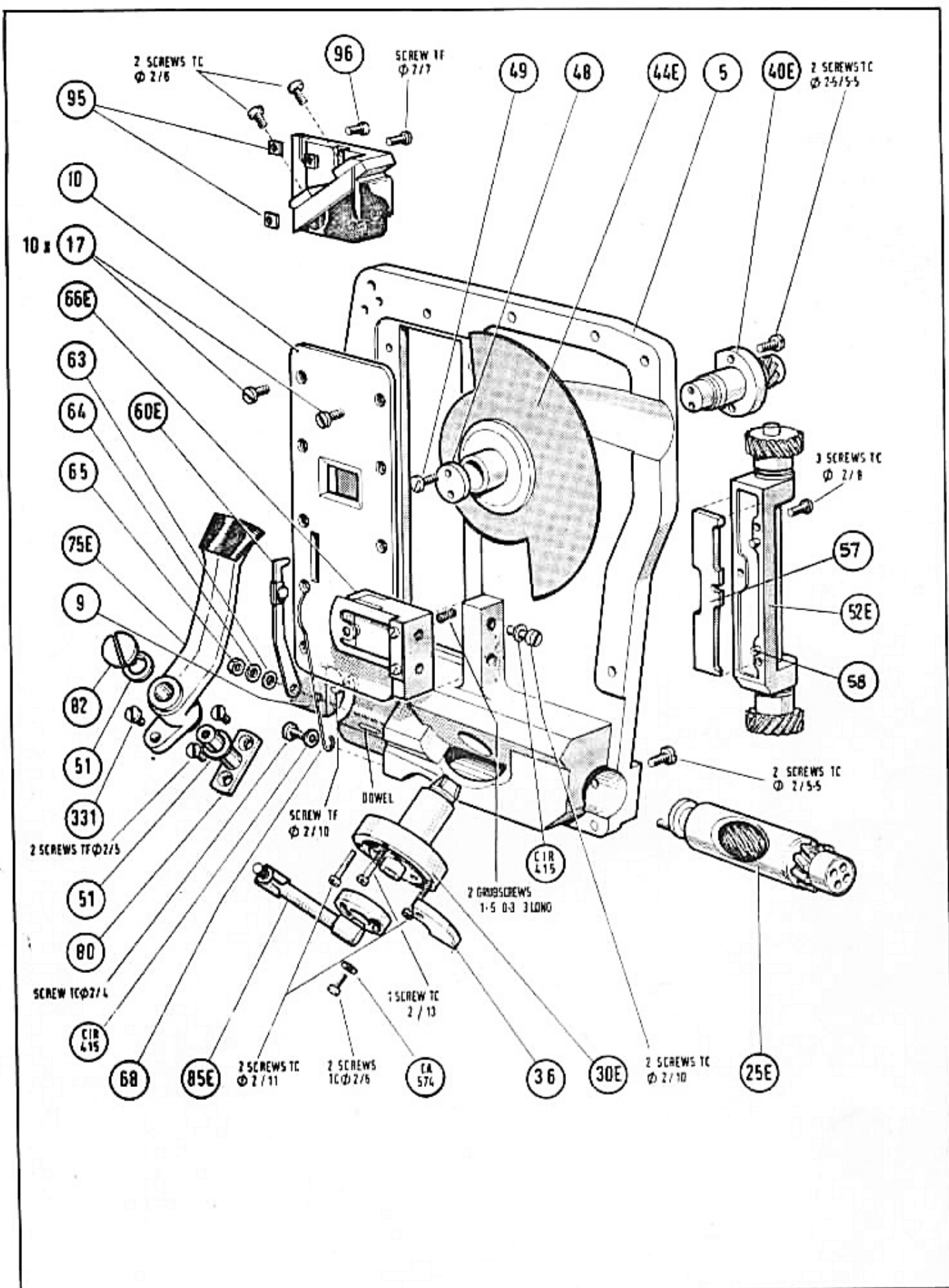
A.C.L.

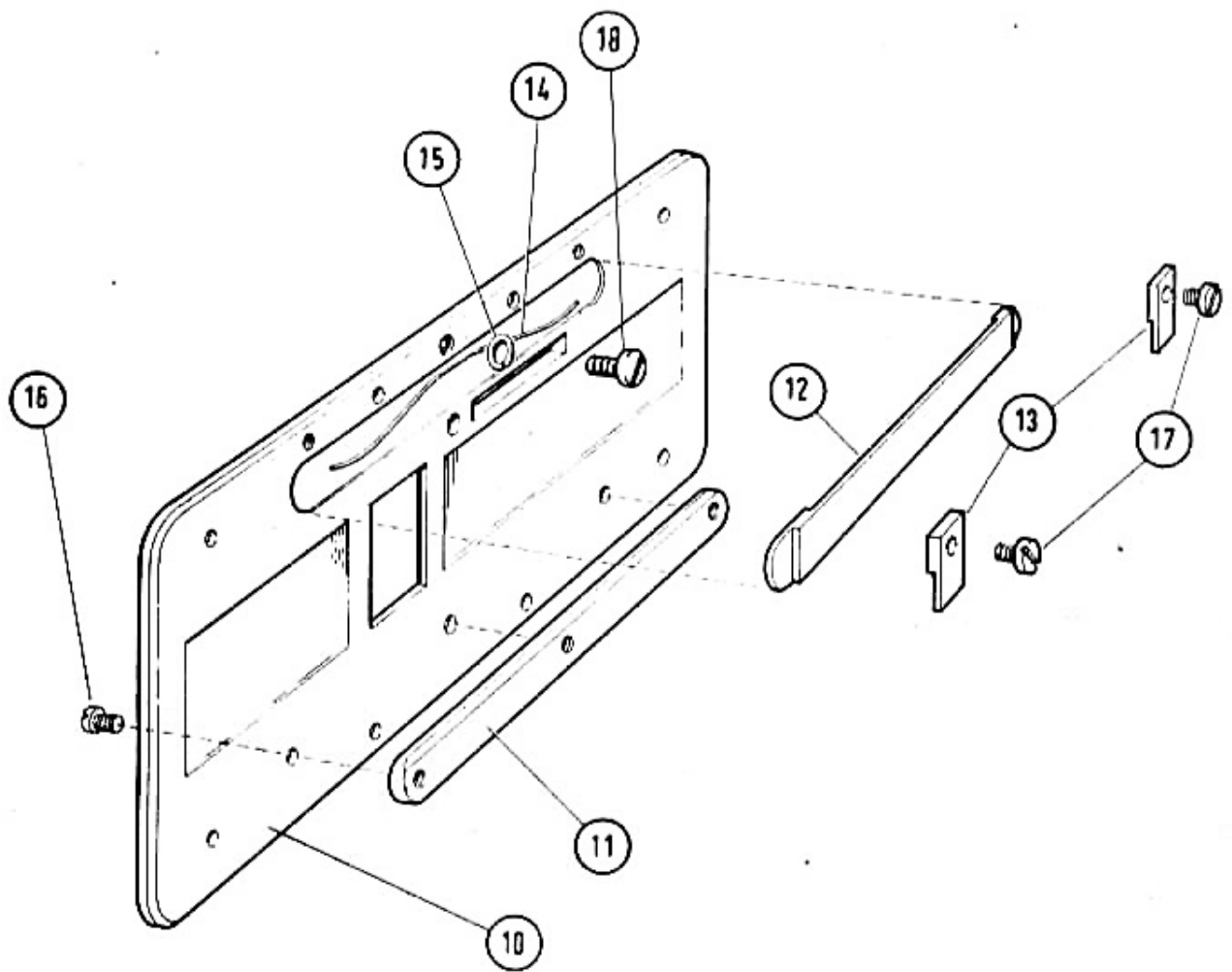
SPARE PARTS CATALOGUE.

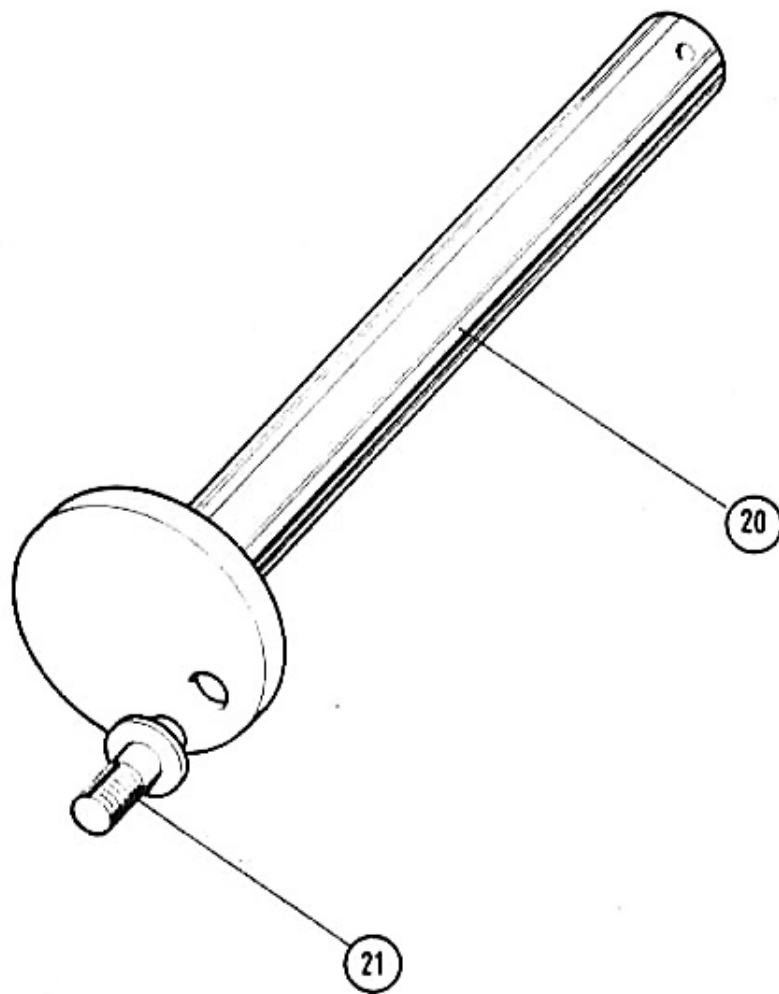
eclair - debrie organisation

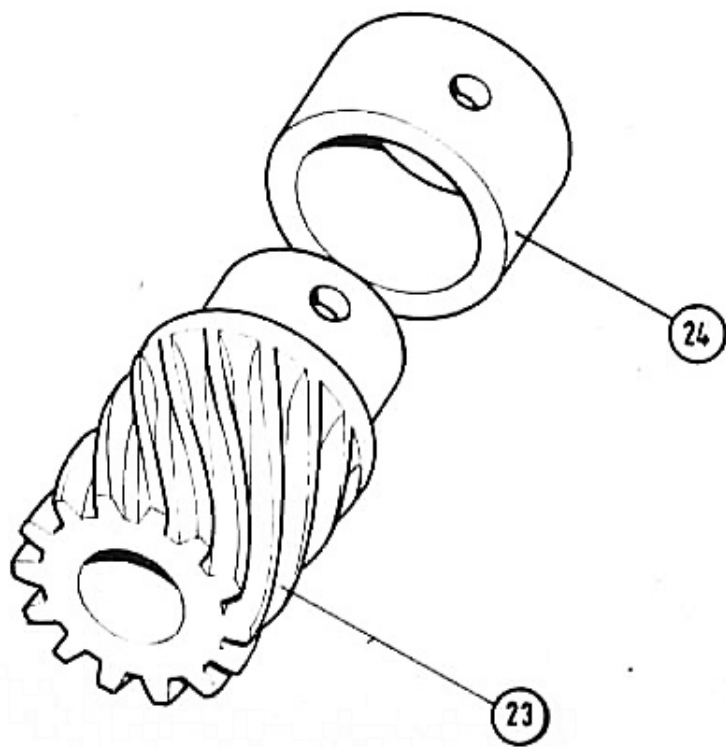


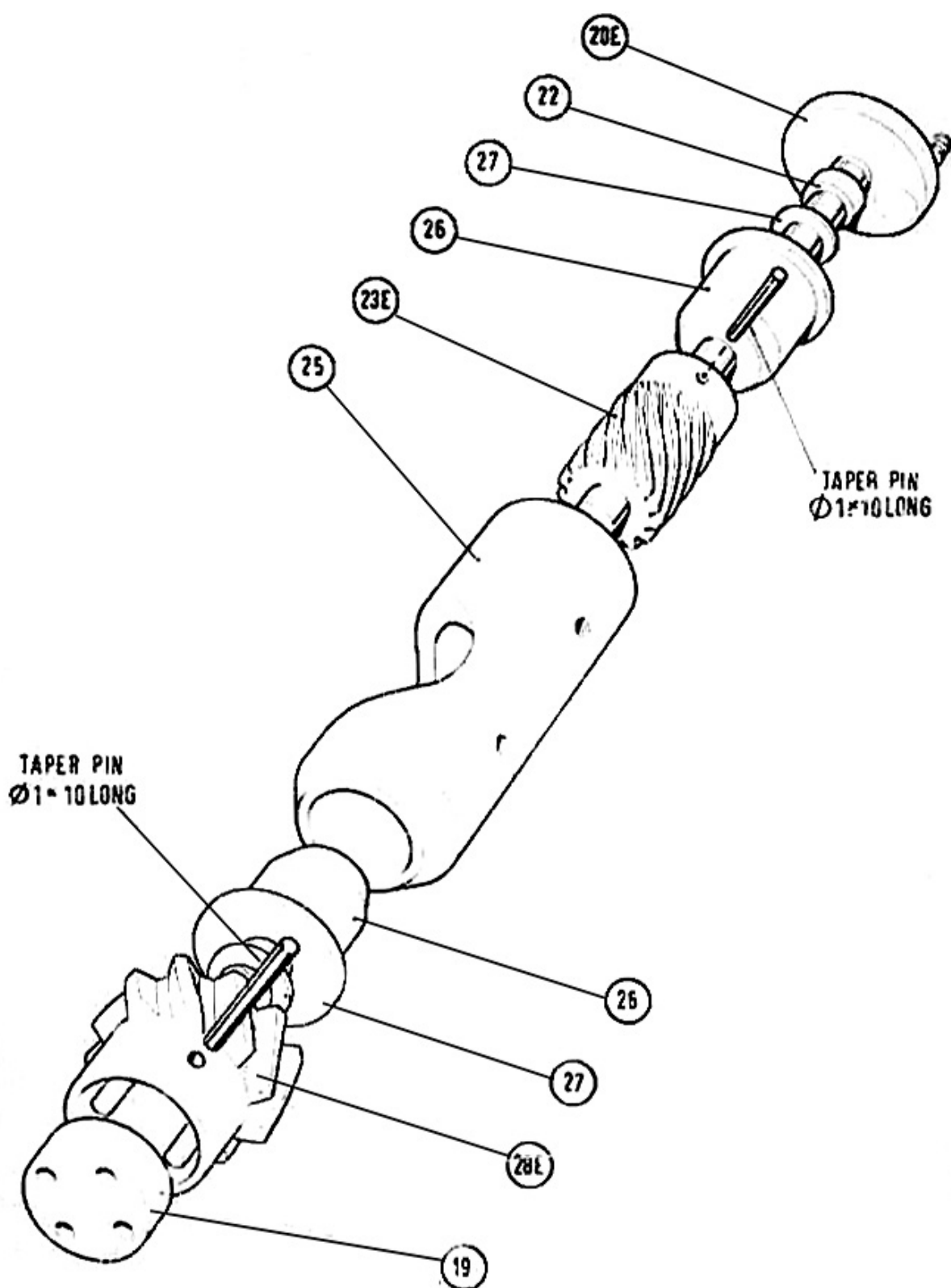


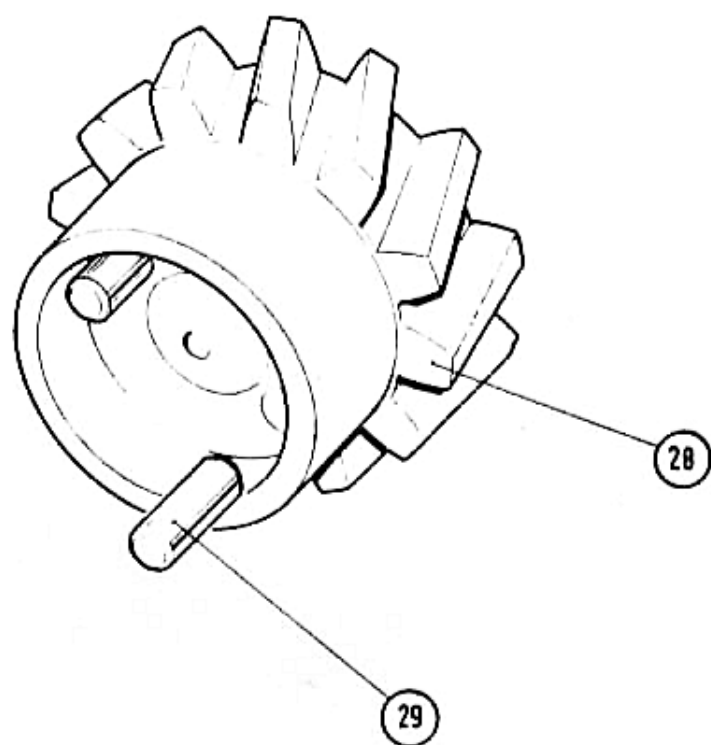


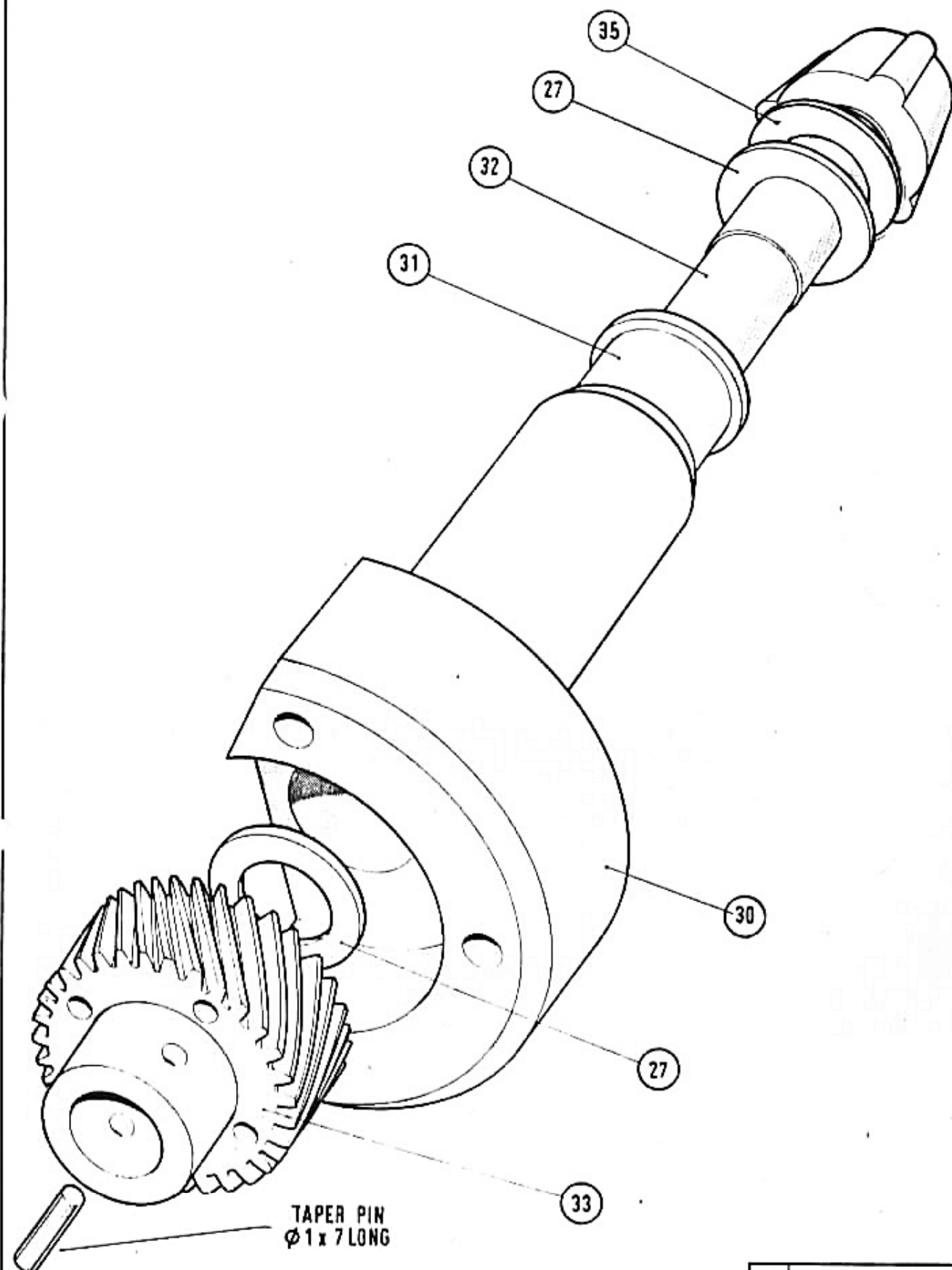








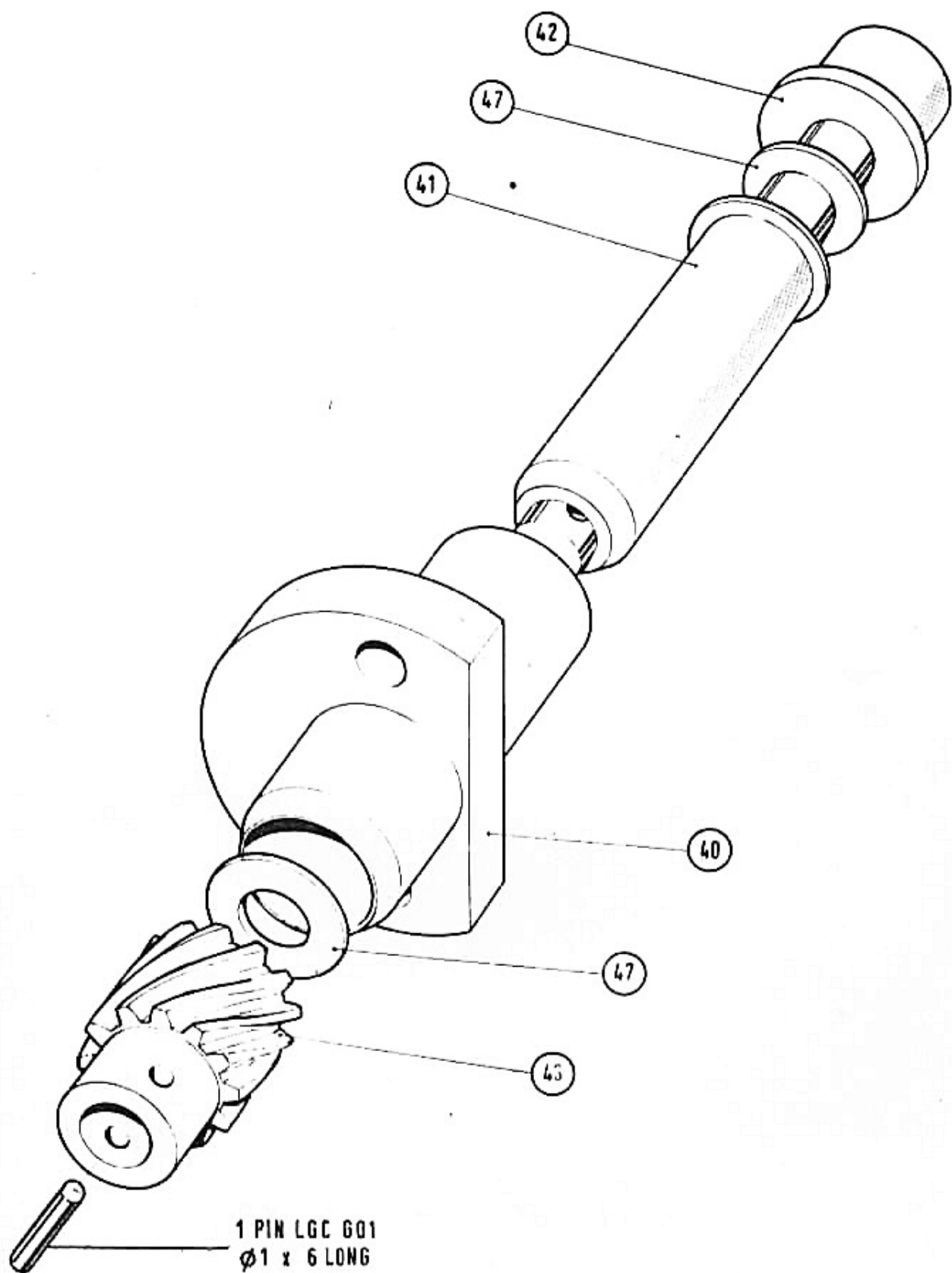


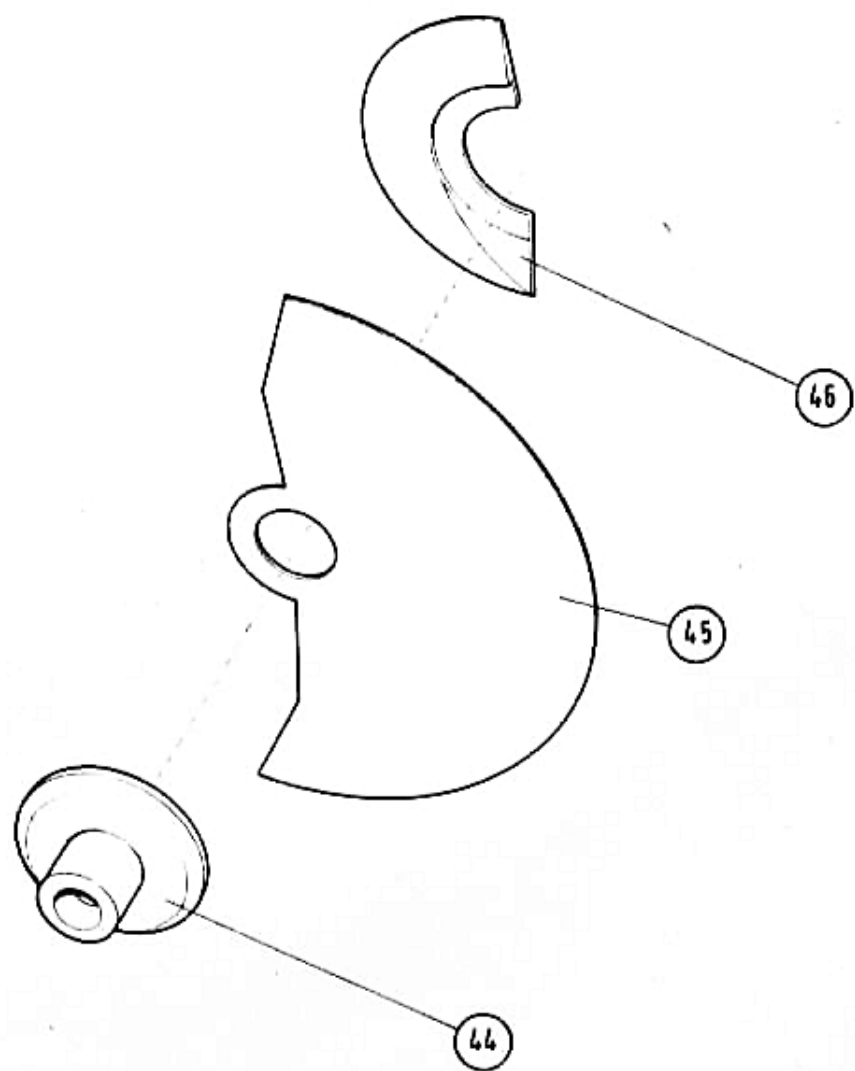


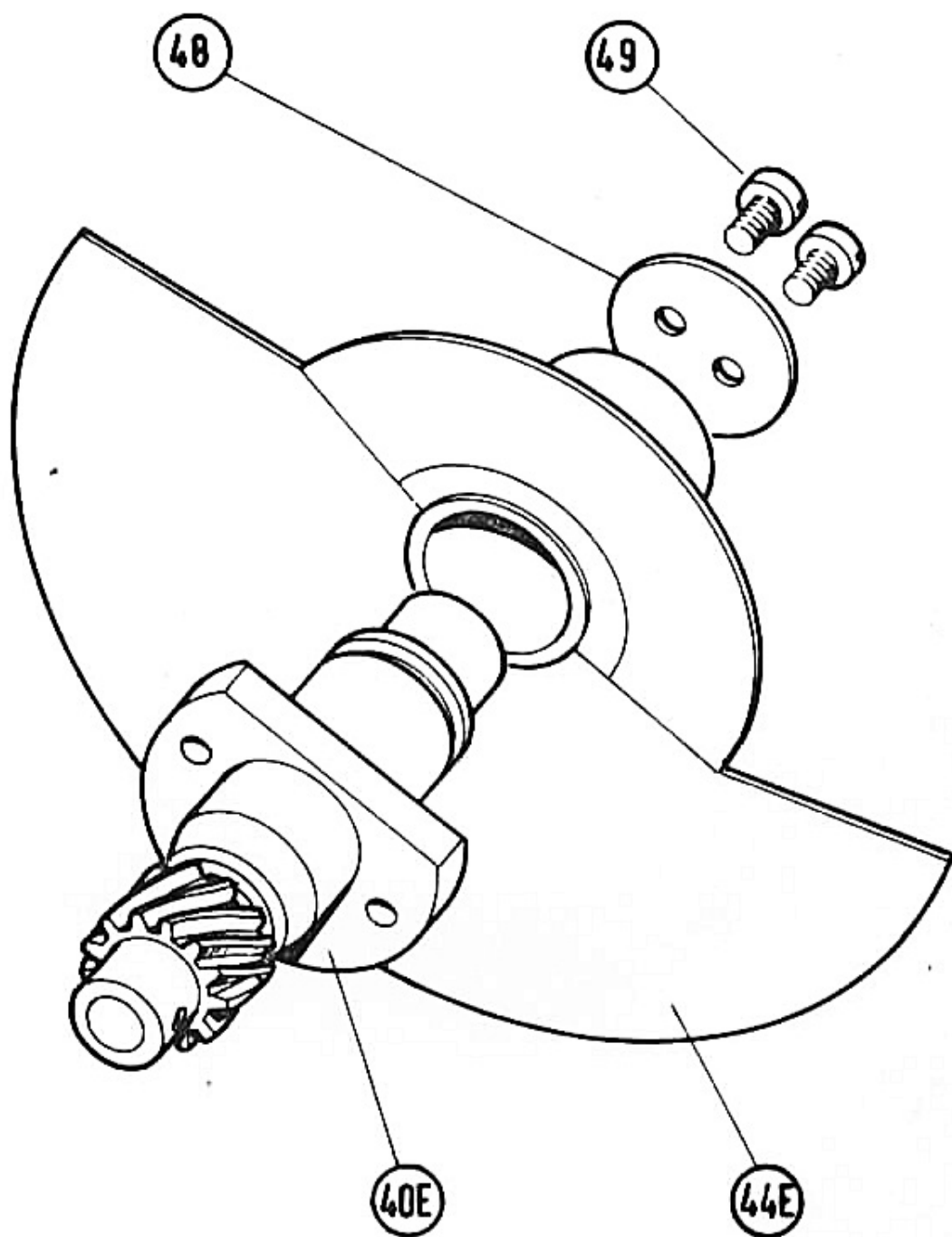
eclair-debne organisation. ealing. w l3.

4

30^E



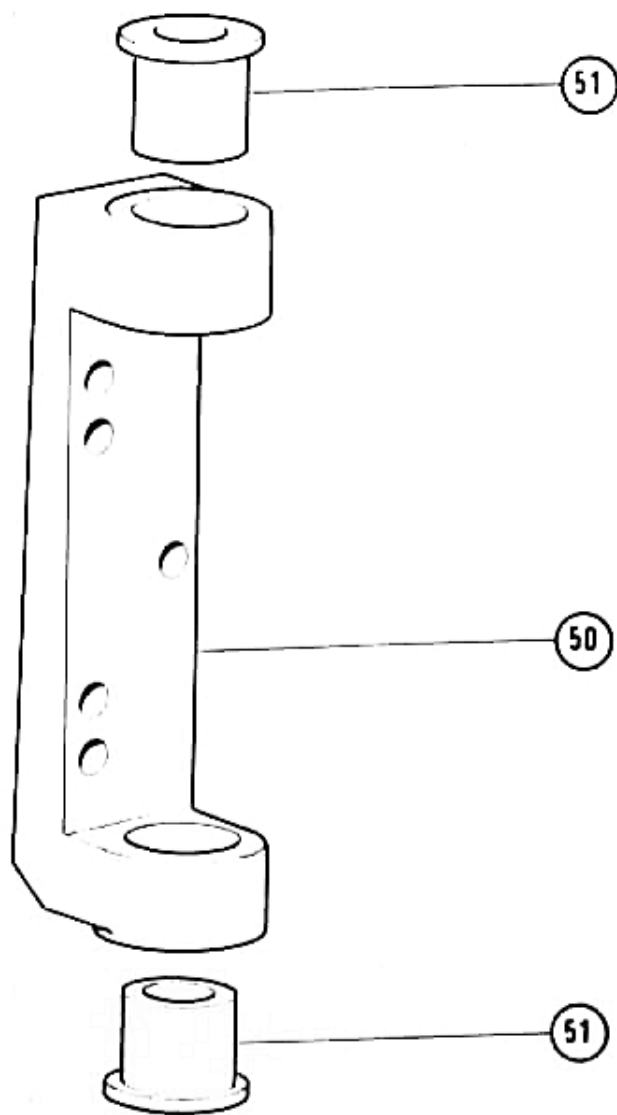


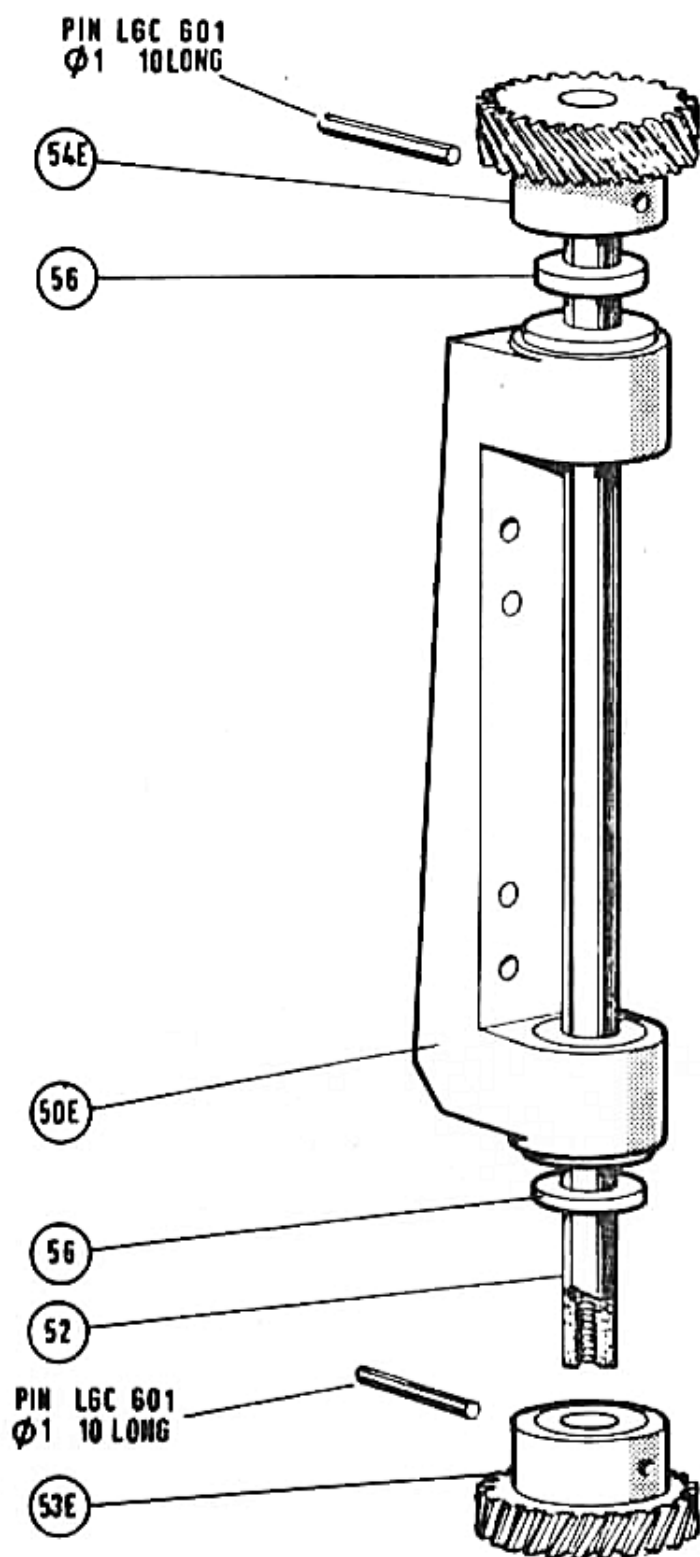


eclair-debne organisation. ealing. w13.

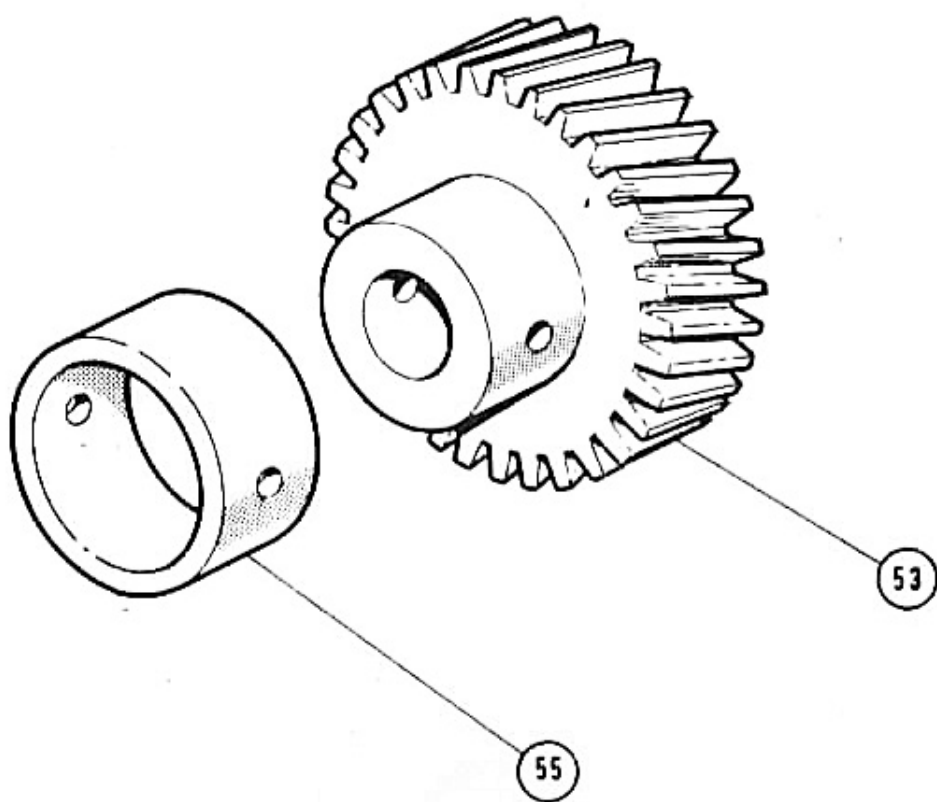
3

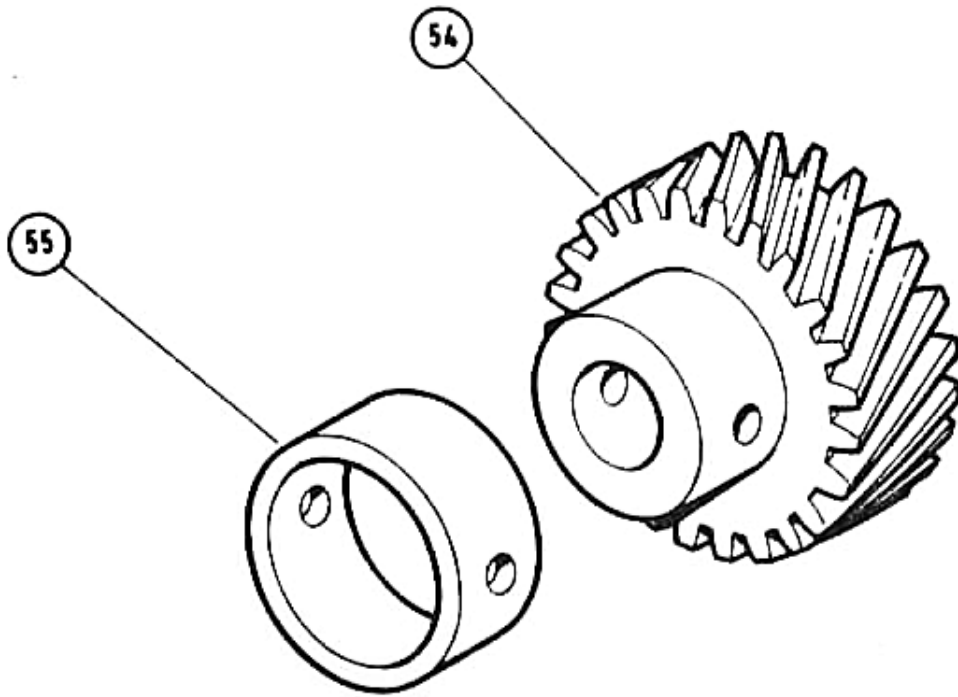
45E





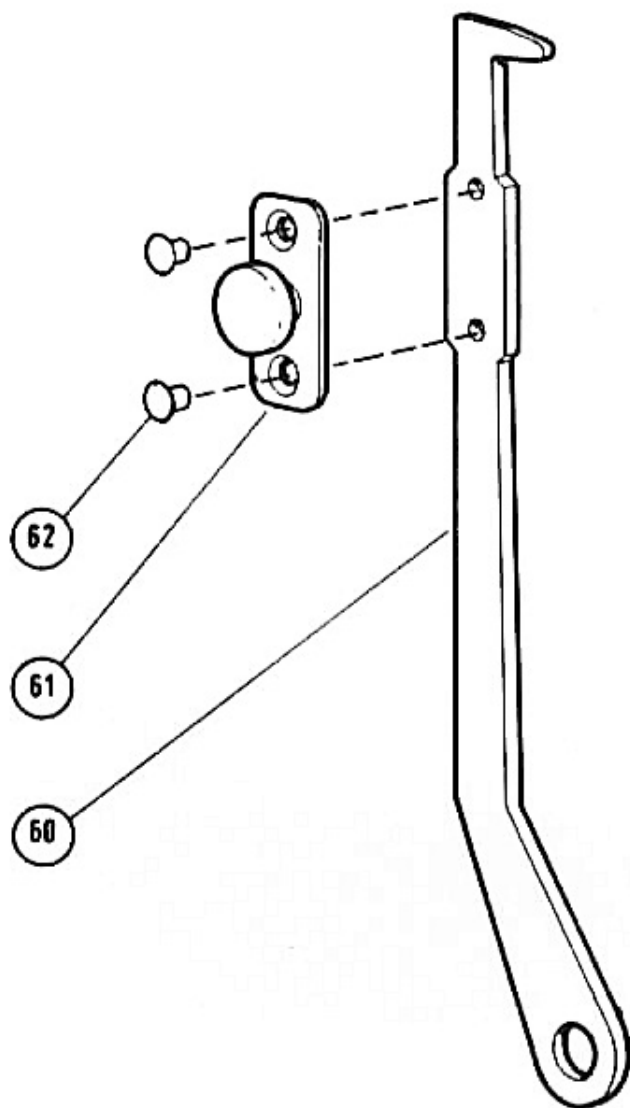
A

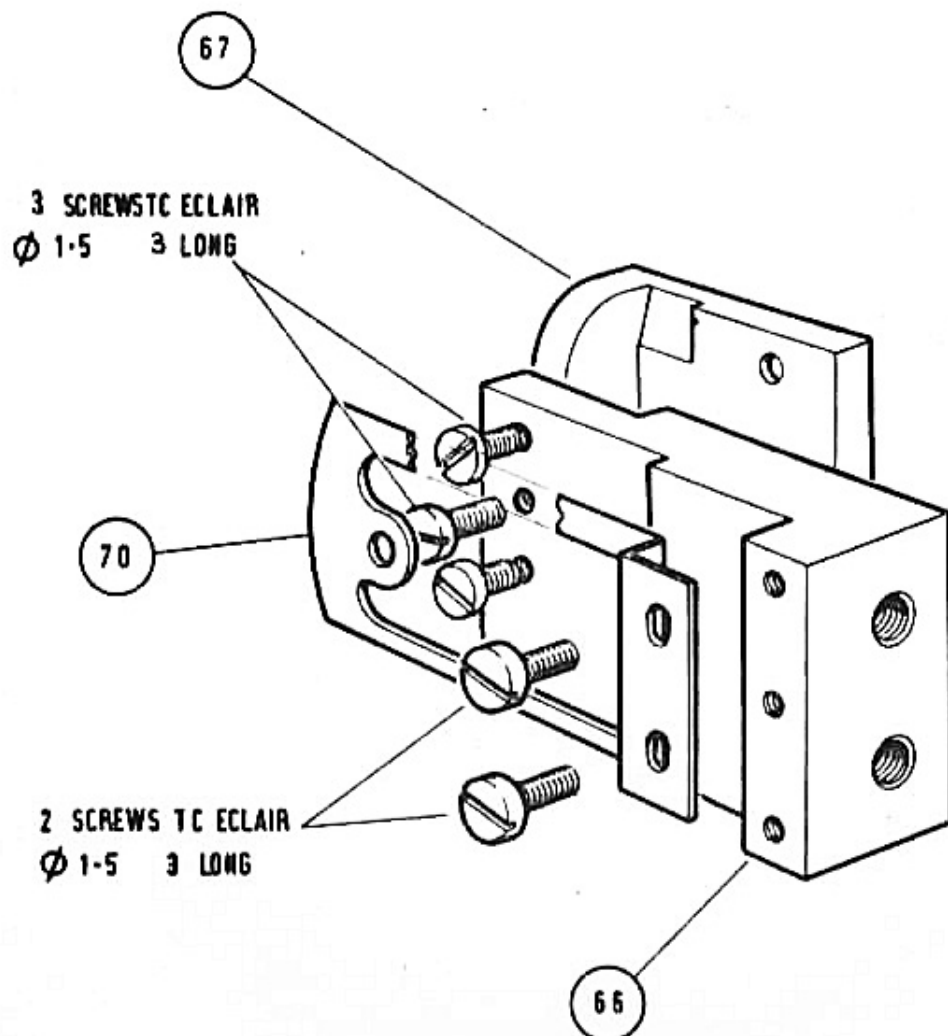


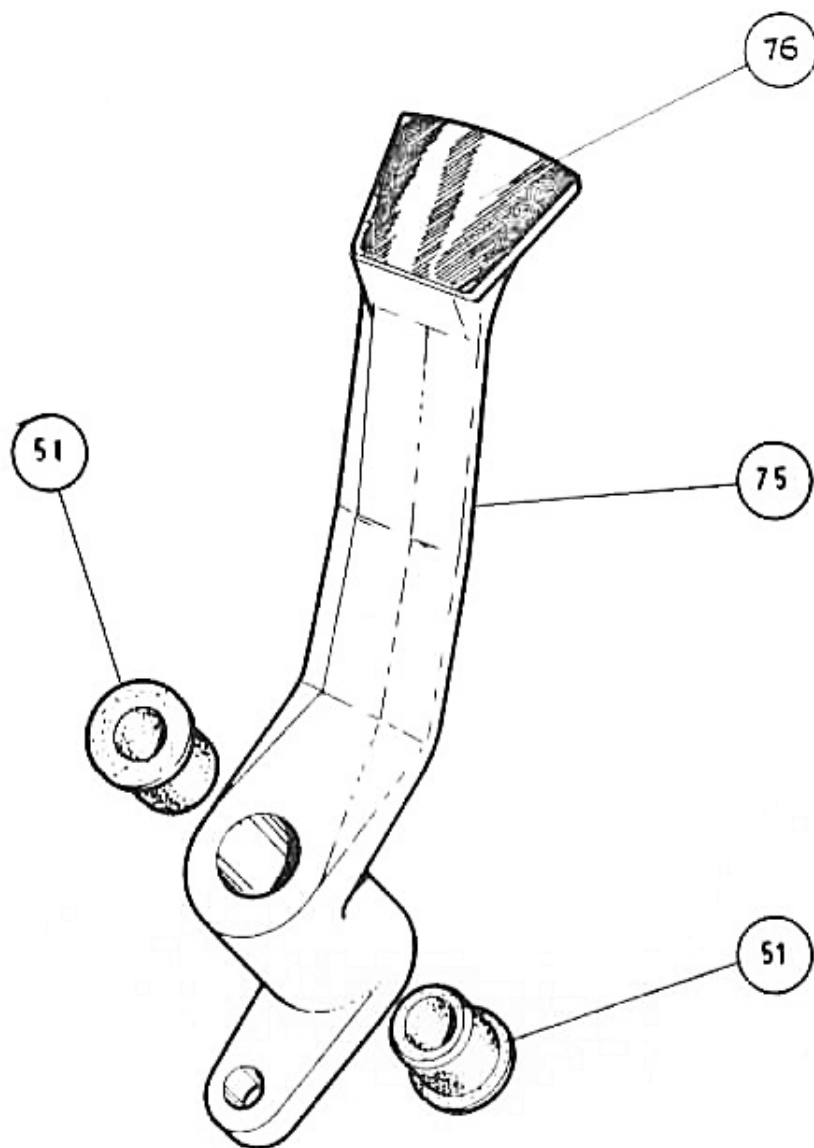


eclair-debne organisation. eating. w 13.

4	54 ^E	A



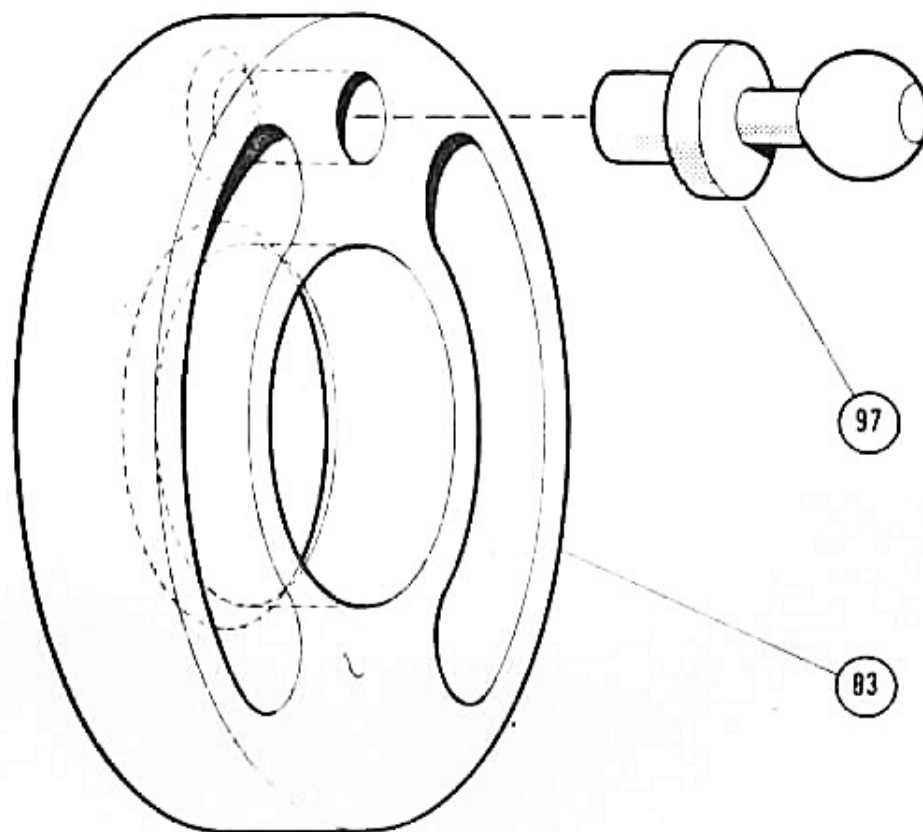


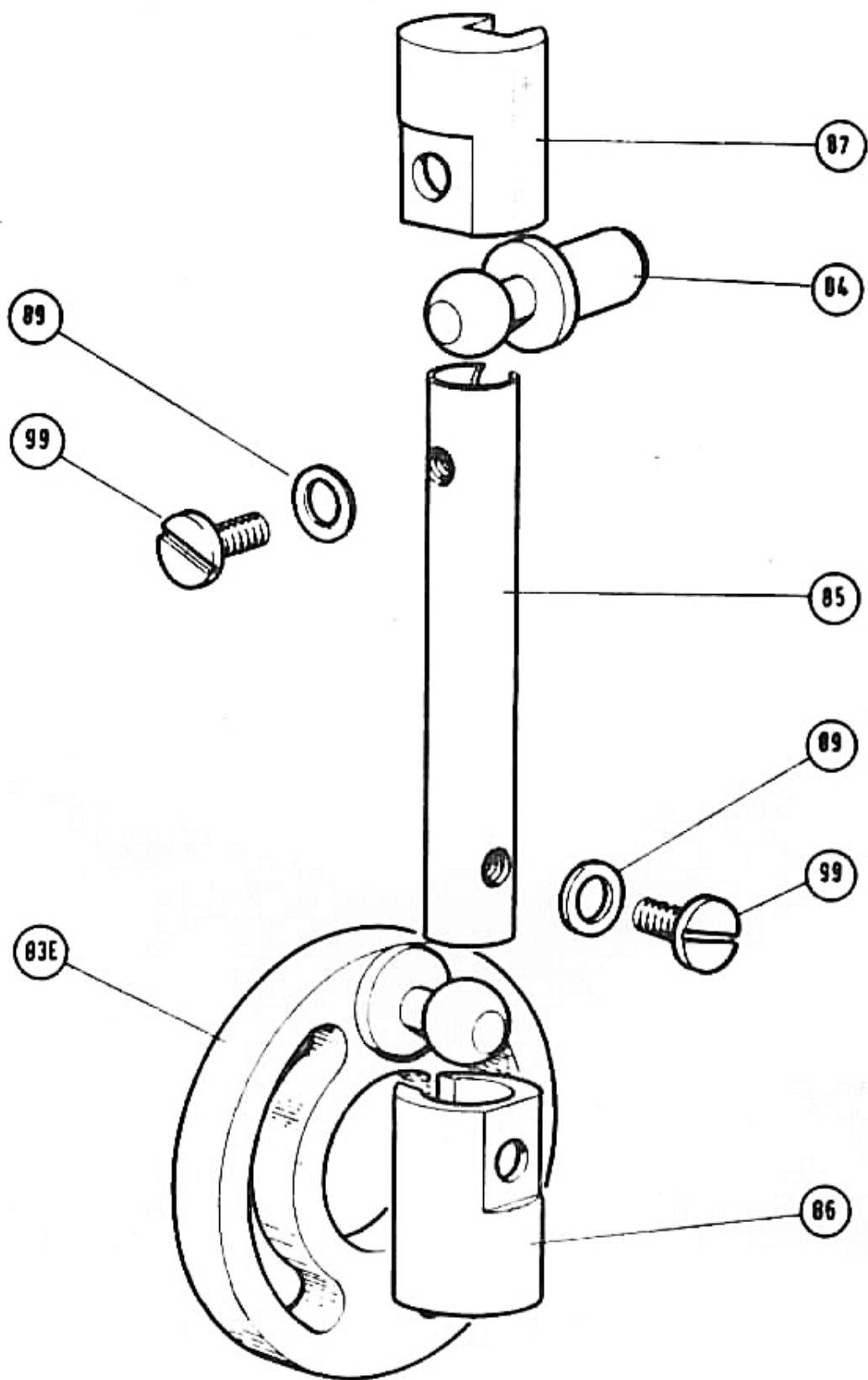


eclair-debne organisation. ealing. w 13.

4

75E



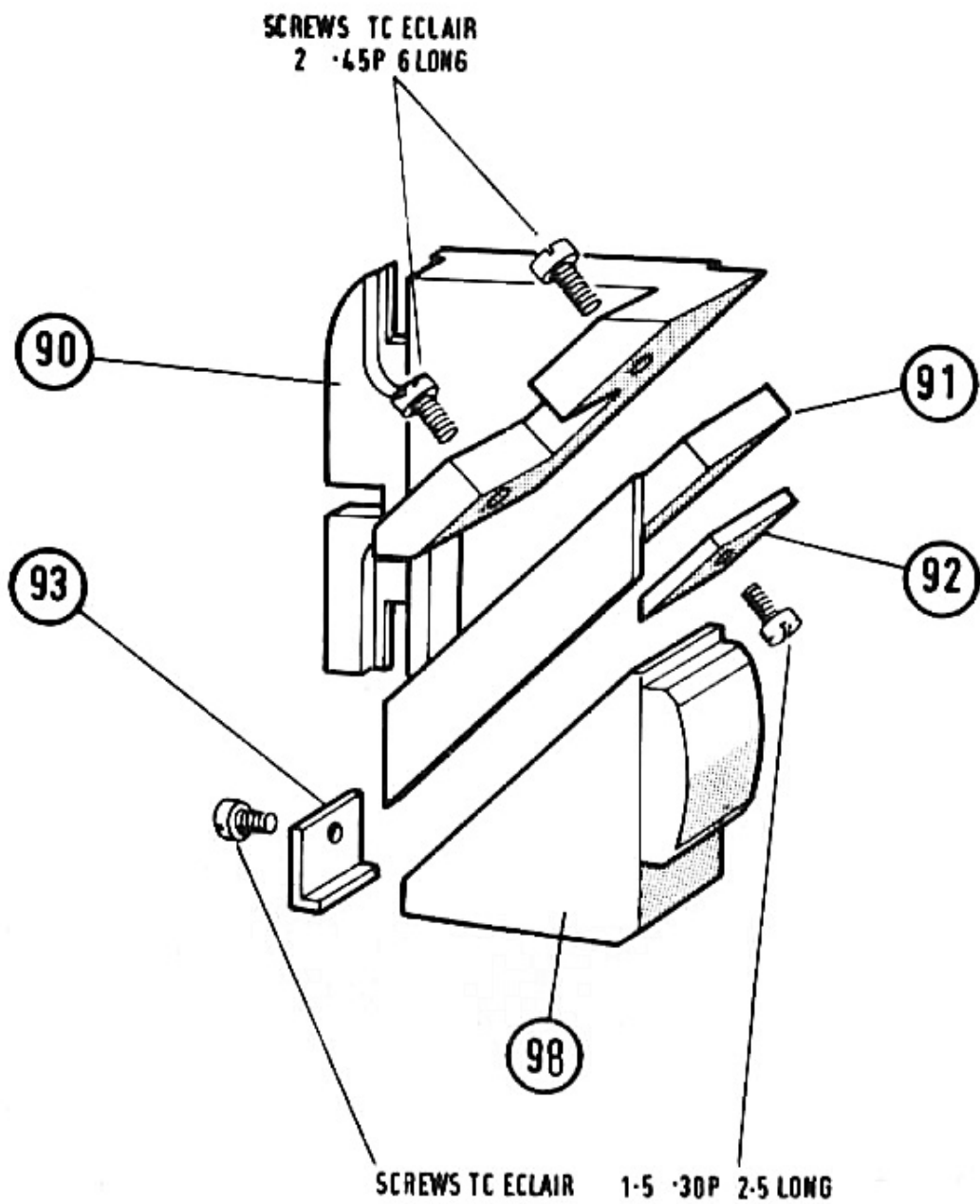


eclair-debne organisation. eating. w 13.

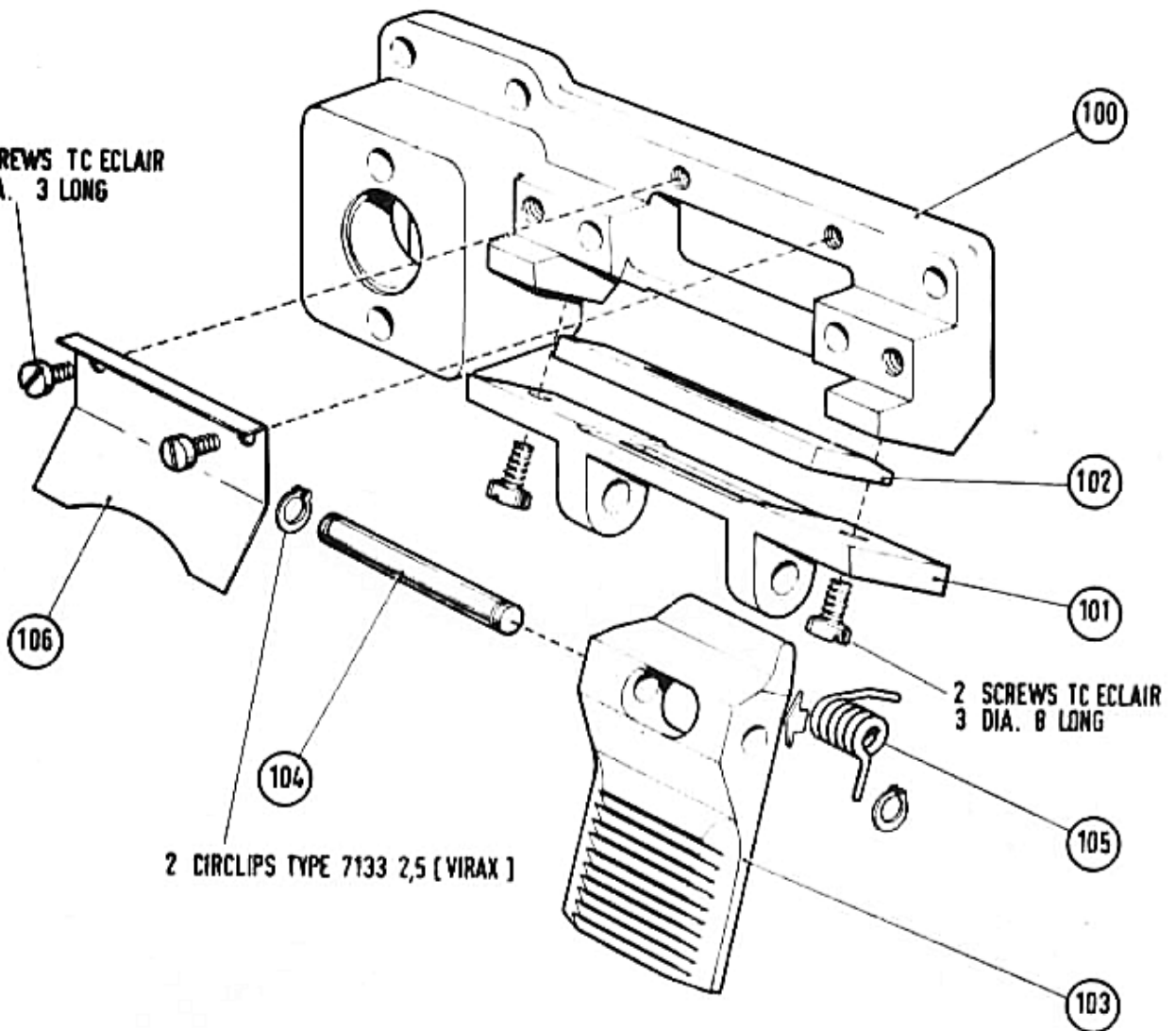
3

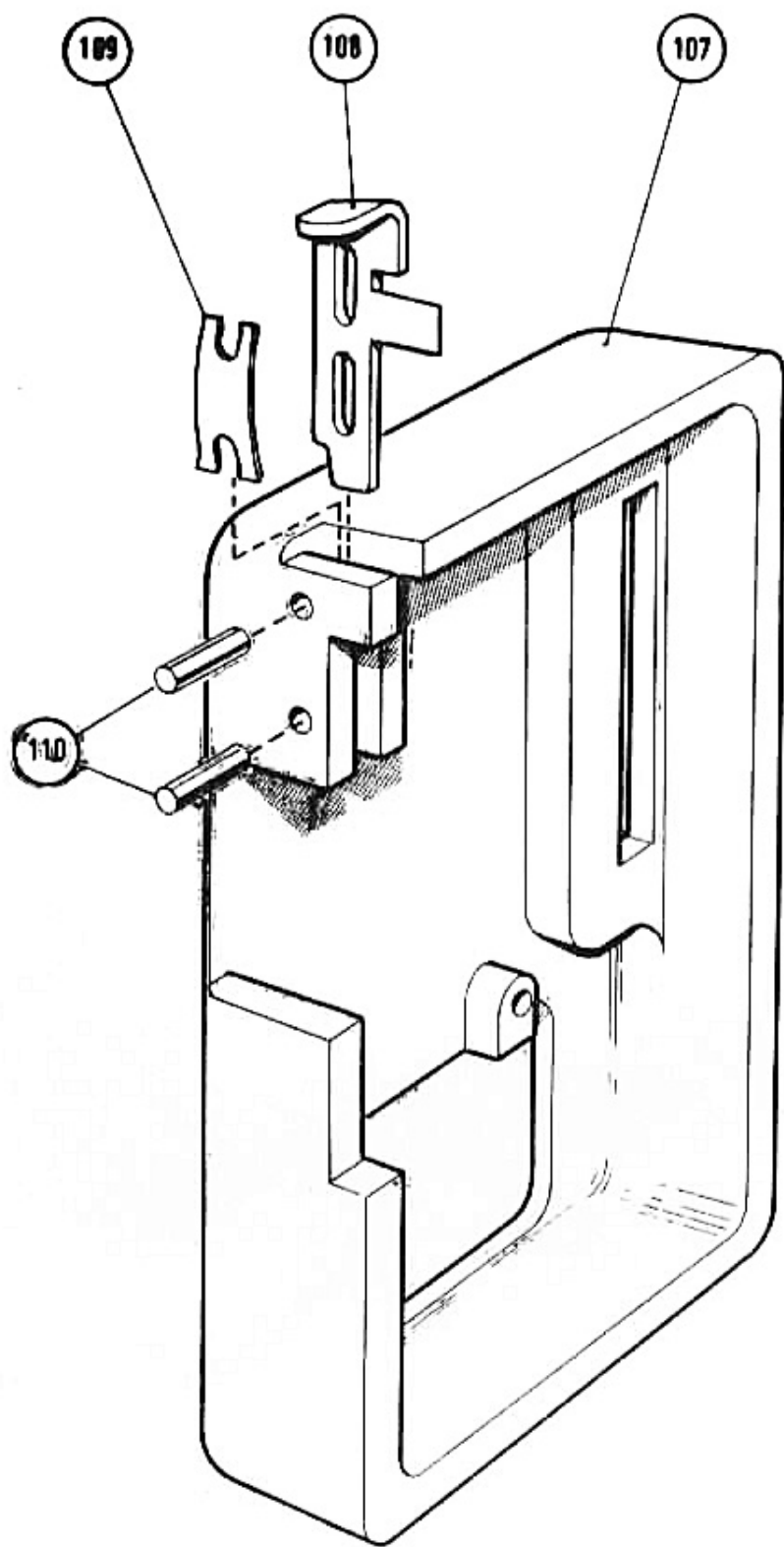
85E

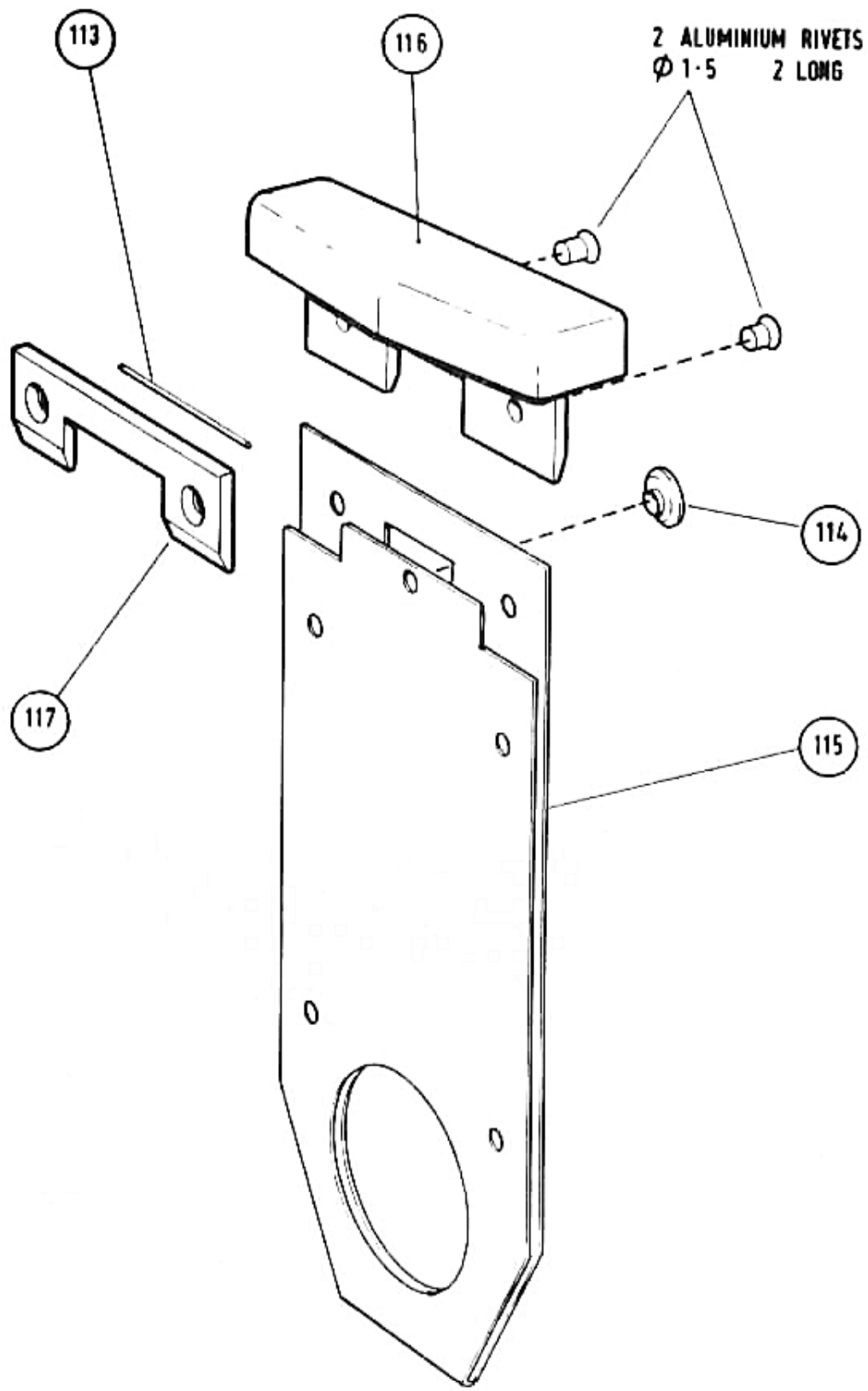
A



2 SCREWS TC ECLAIR
2 DIA. 3 LONG

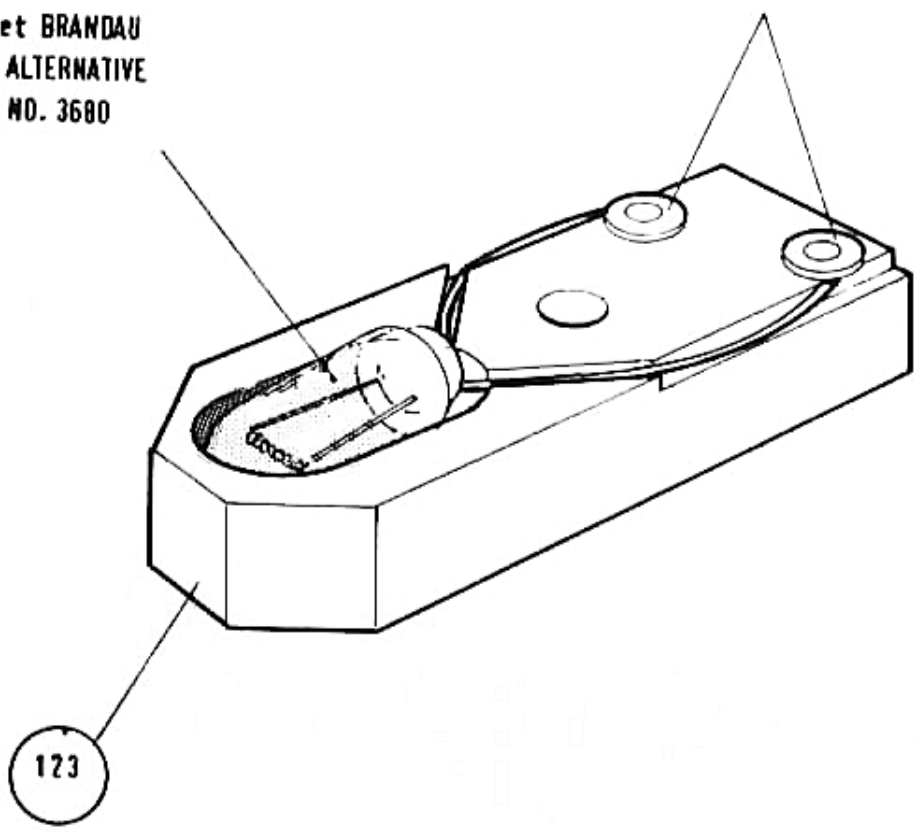






LAMP REF. 560 T ^{3/4}
MANZEL et BRANDAU
ENGLISH ALTERNATIVE
VITALITY NO. 3680

TUCKER EYELET CO. RIVETS
Ø1.2 3.0 LONG
M 12000 SERIES



eclair-debne organisation. ealing. w 13.

		123 ^E	

2 GRUBSCREWS
Ø2 ·45 2·5 LONG

142

131

5080

134

135

146

132E

133

130

1 CIRCLIP TRIARC E
TYPE 7133-4

3 SCREWS TF ECLAIR
Ø2 ·45 17 LONG

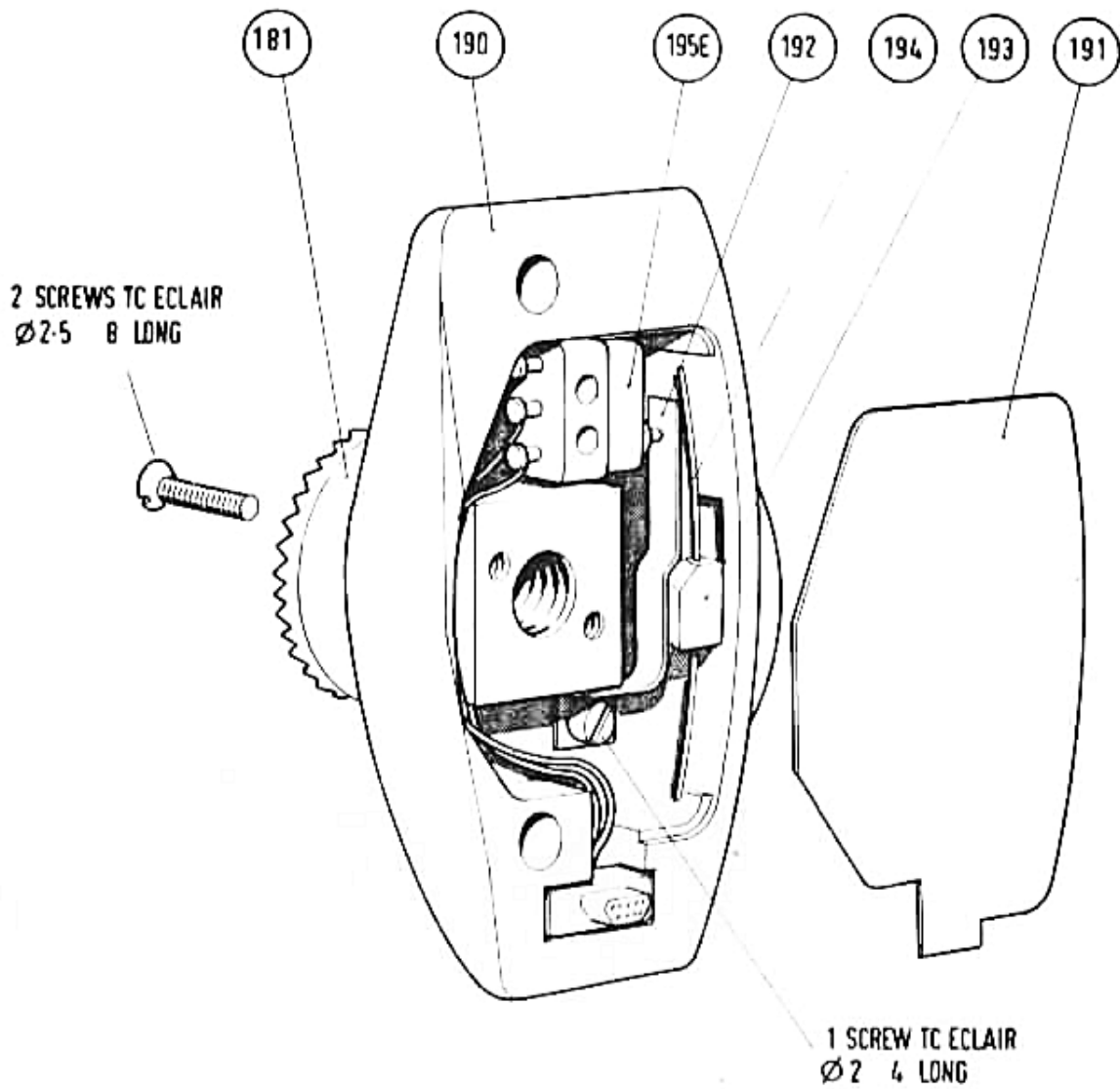
2 SCREWS TF ECLAIR
Ø2 ·45 11 LONG

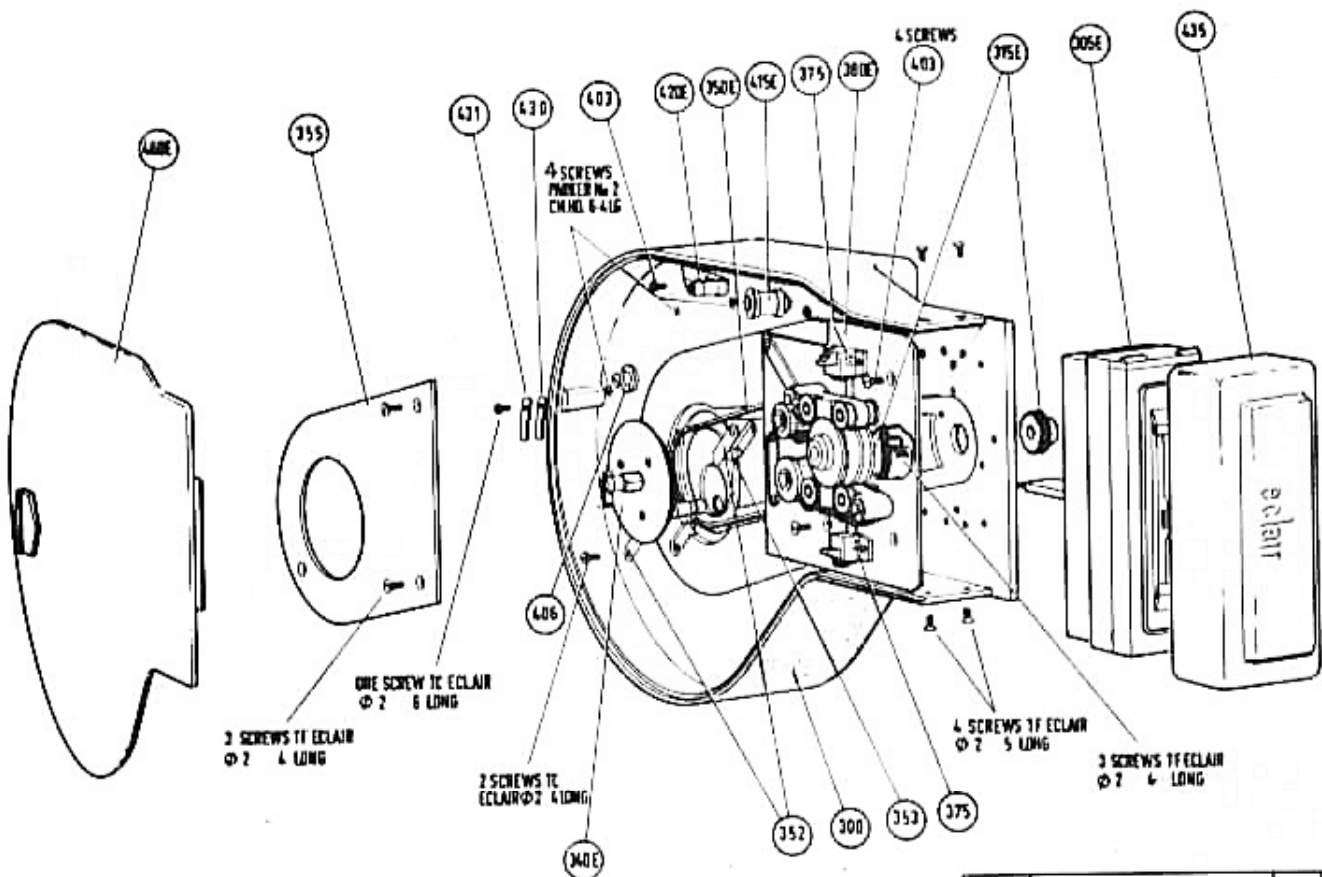
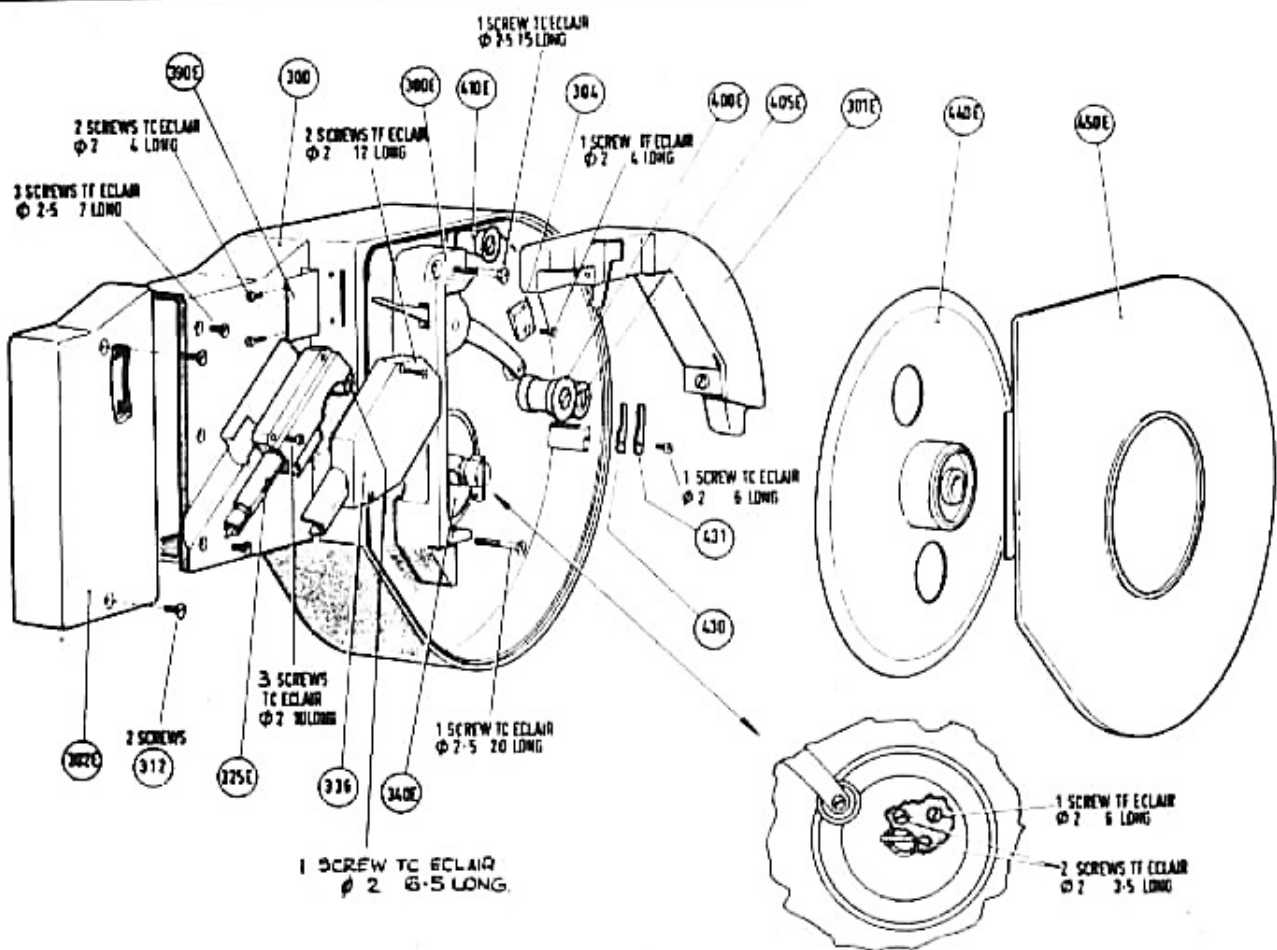
2 SCREWS TF ECLAIR
Ø2 ·45 6 LONG

136

138

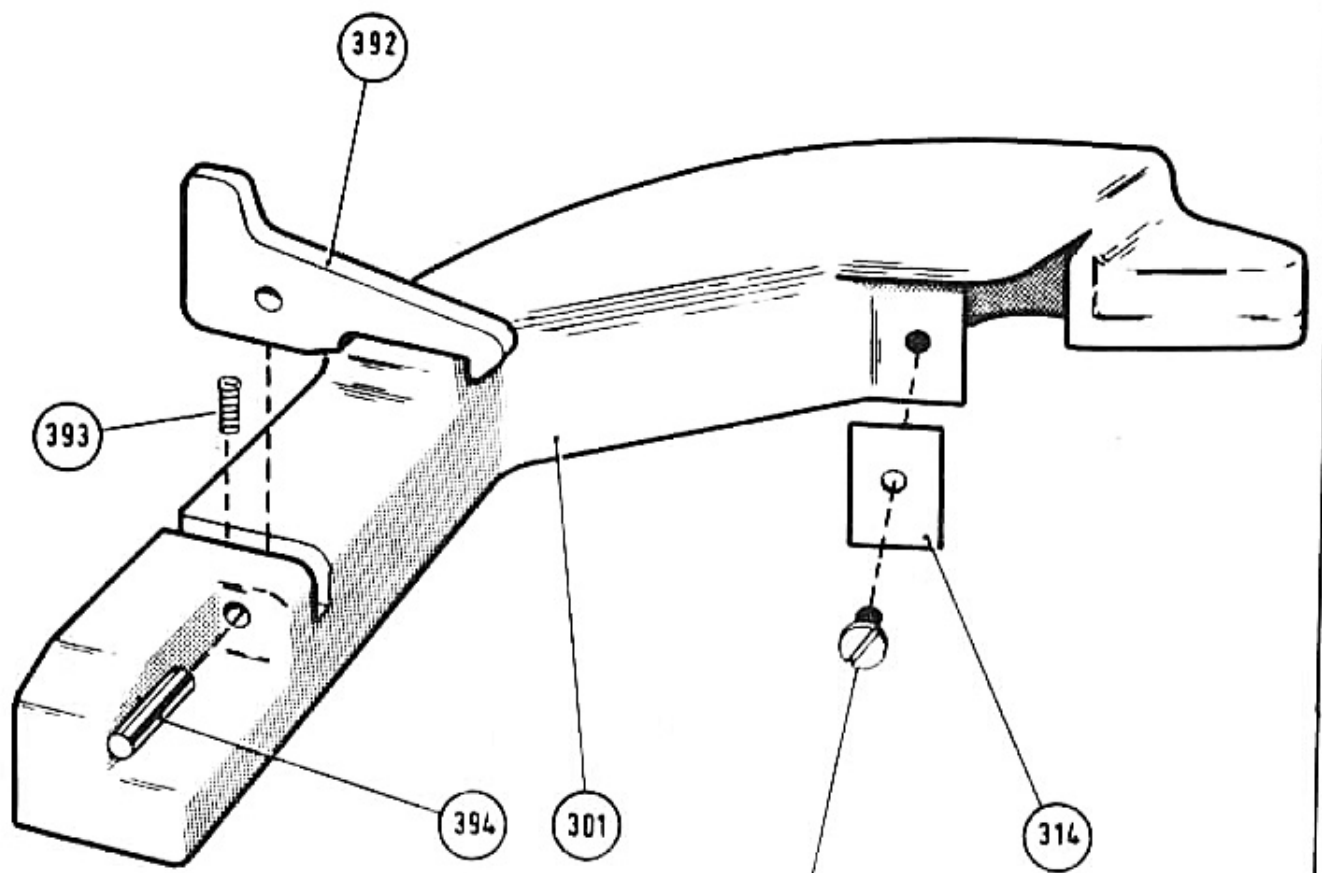
137



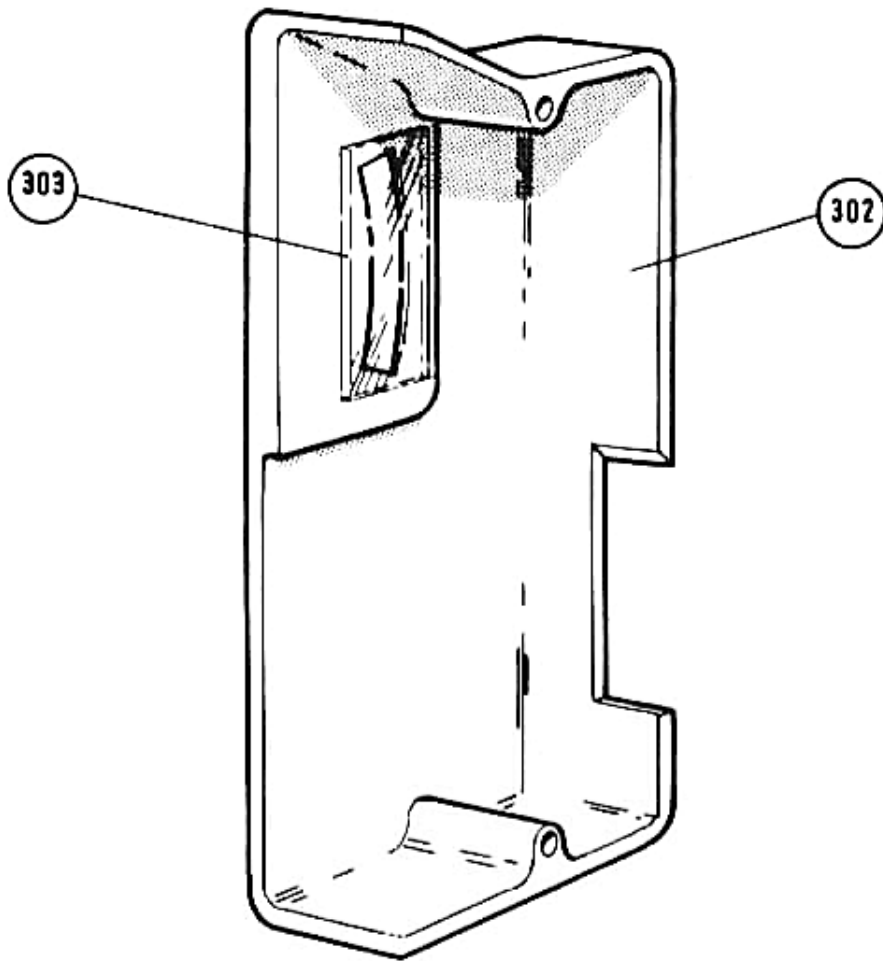


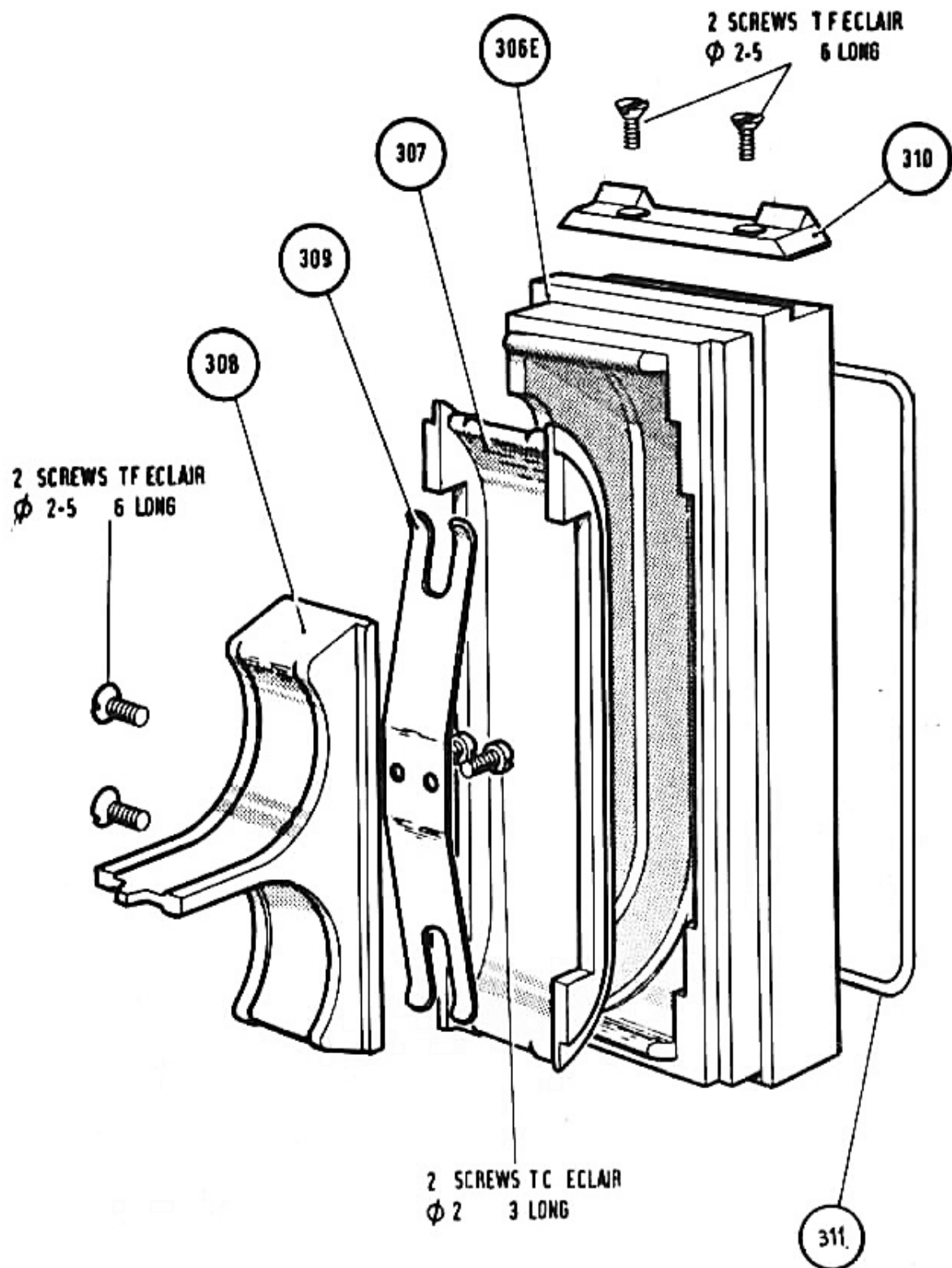
eclair-debne organisation. ealing. w 13.

300^E



1 SCREW CH. HD. PARKER
No.2 x 6.4 LONG.

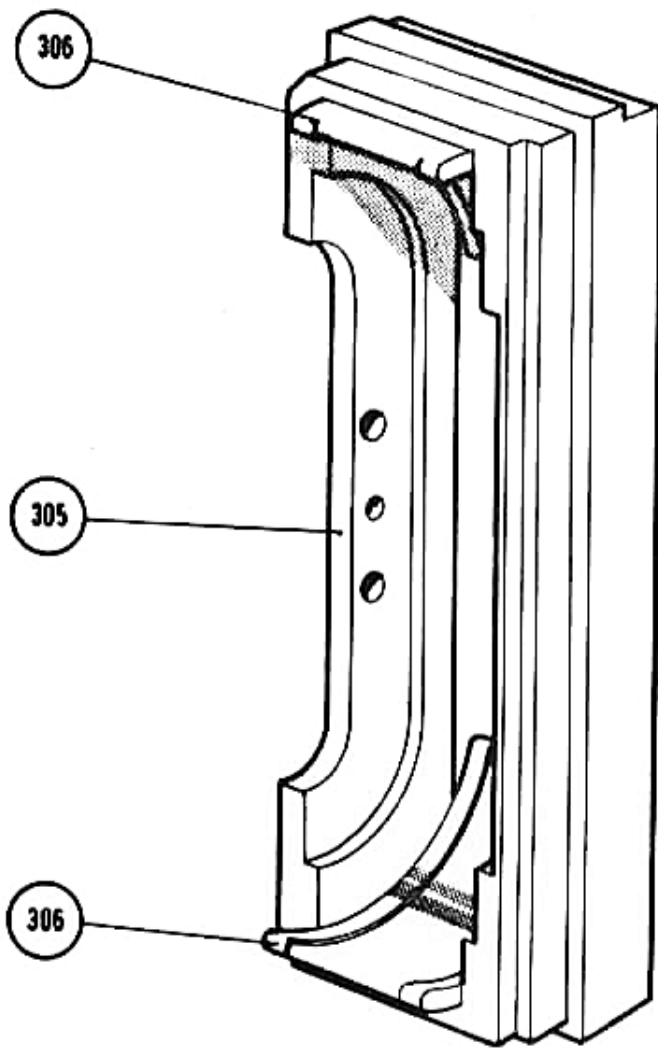




eclair-debne organisation. ealing. w 13.

2

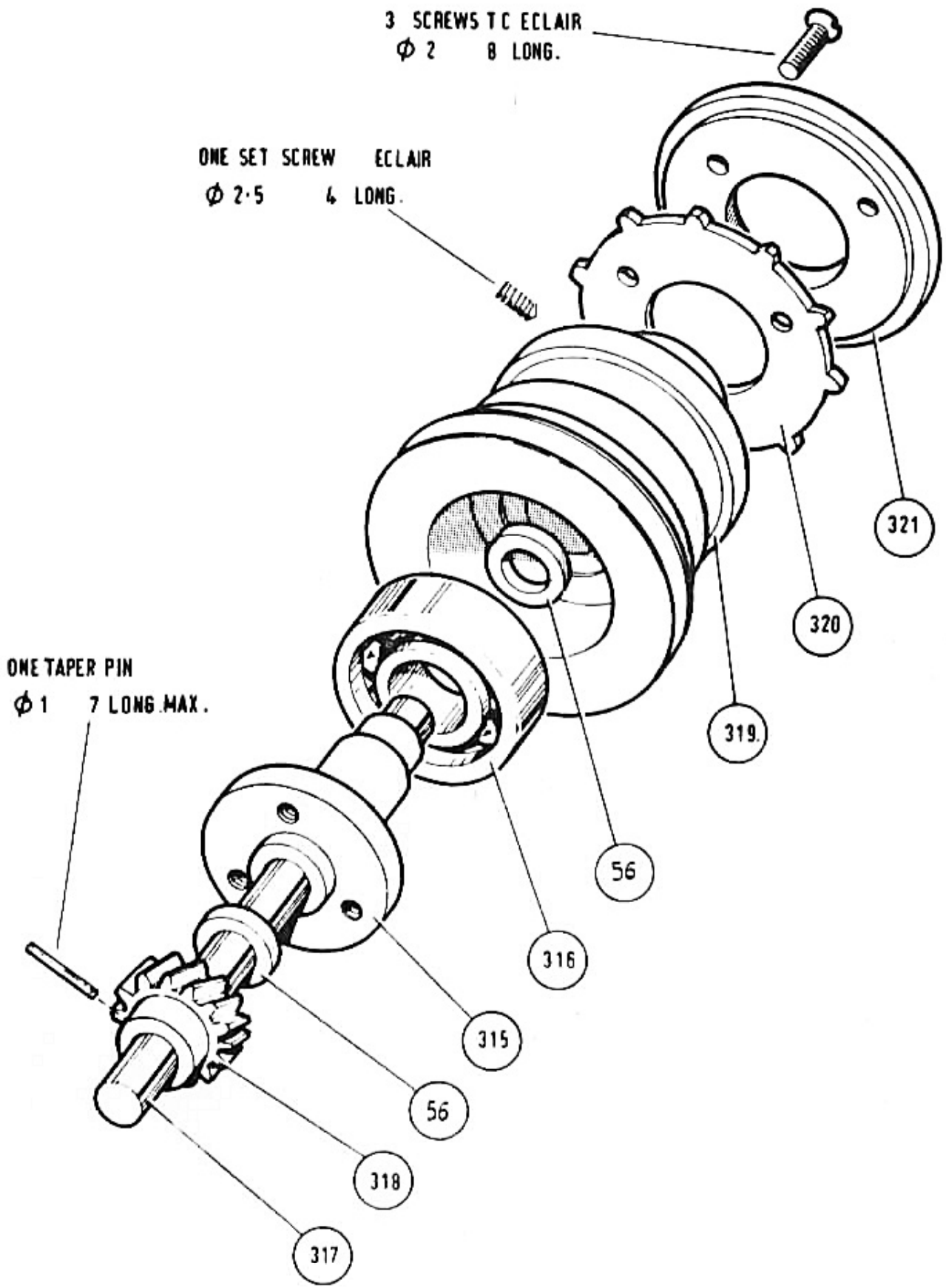
305E

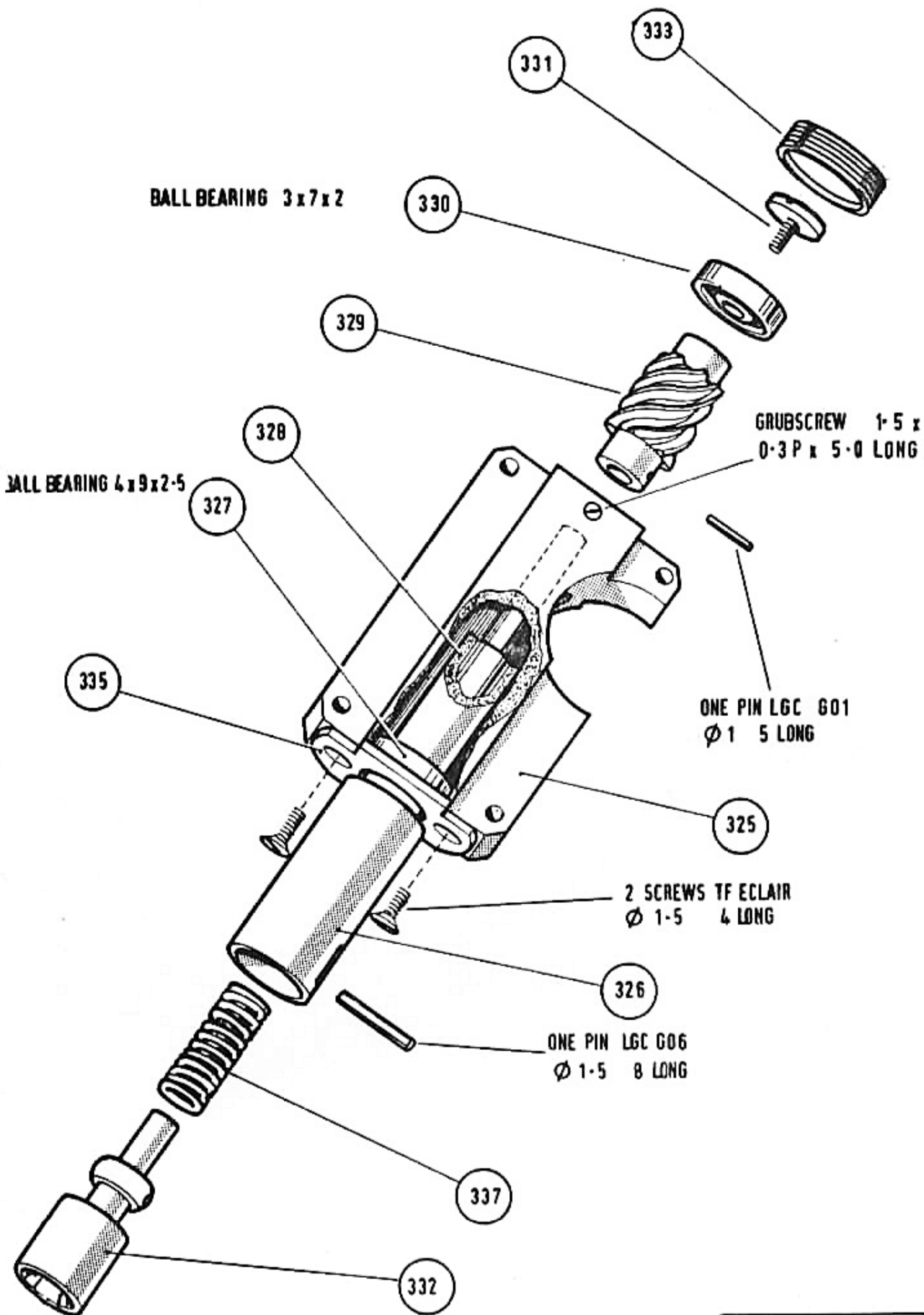


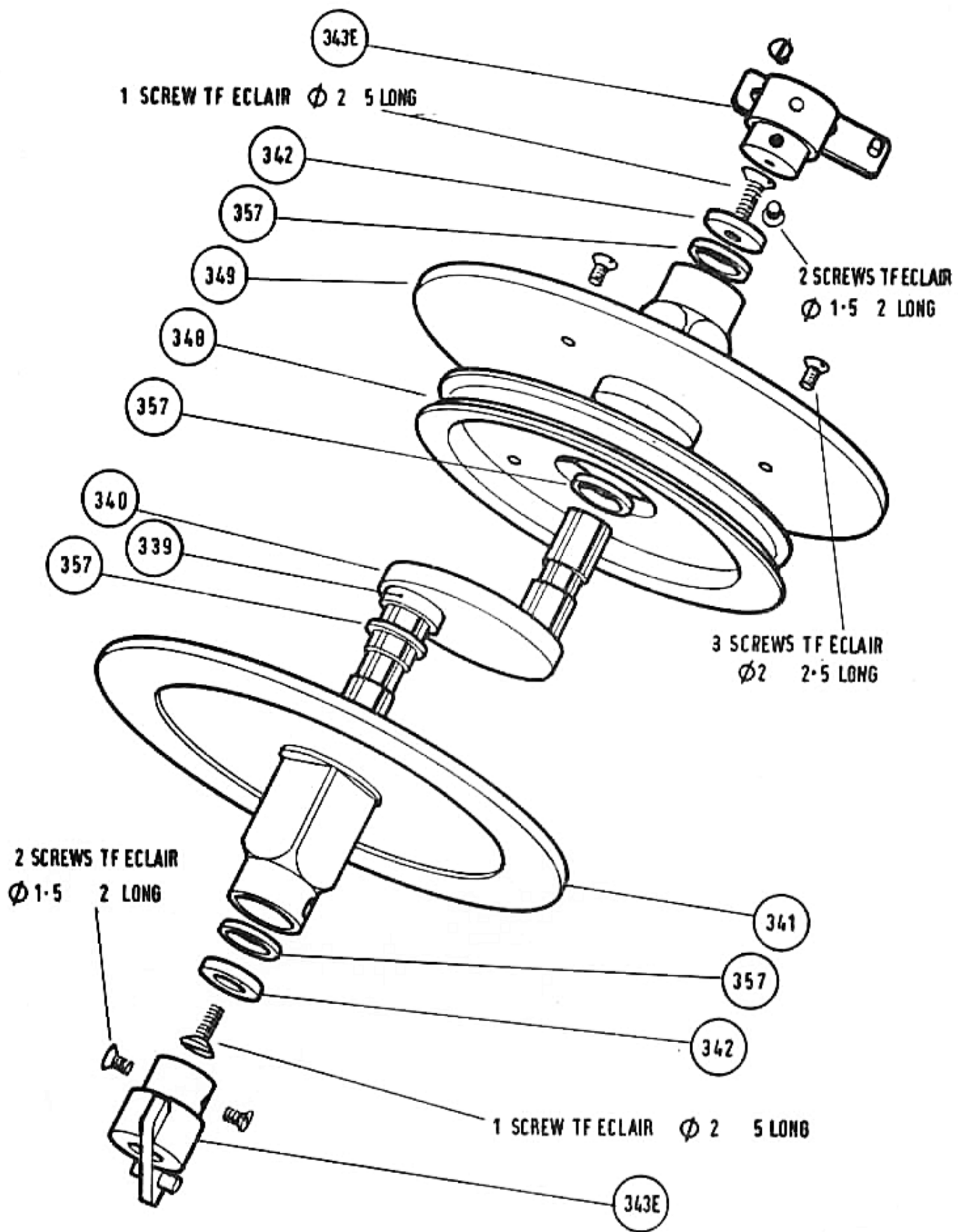
eclear-débatte organisation. eating. w13.

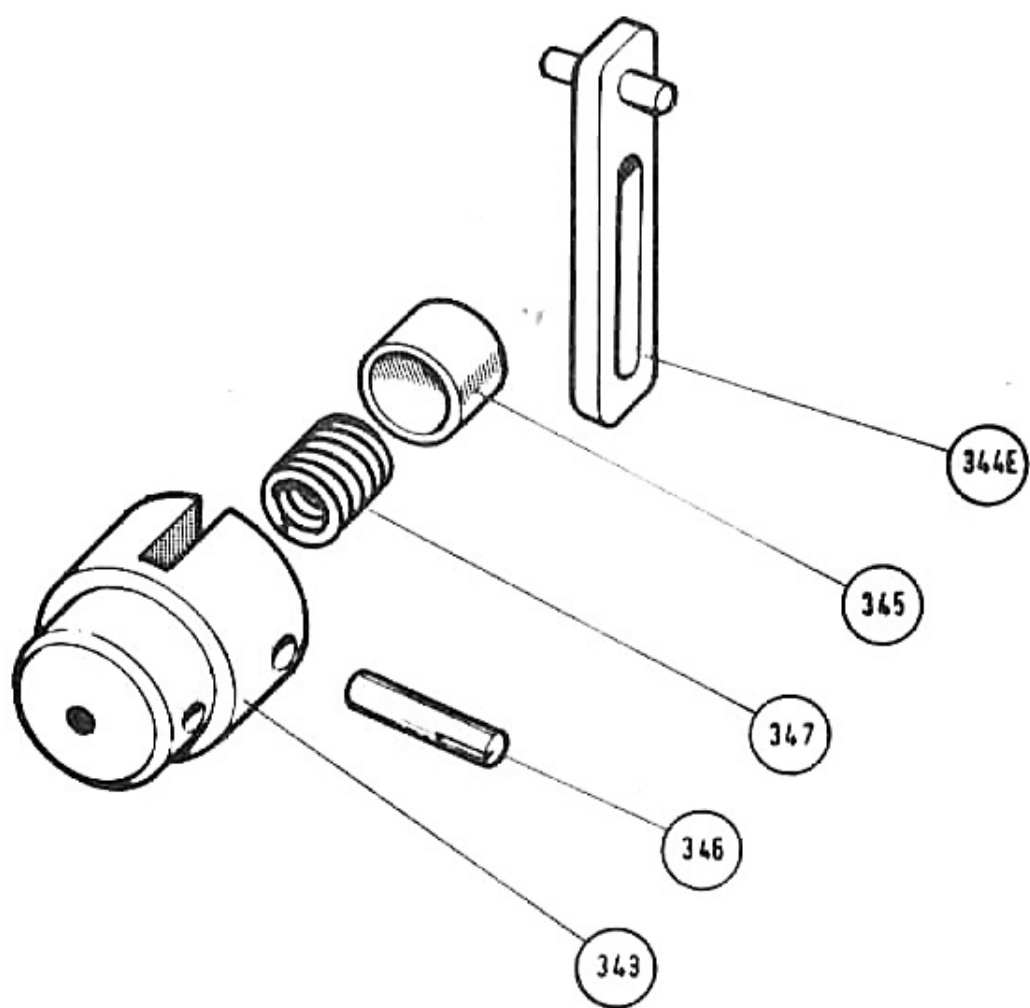
3

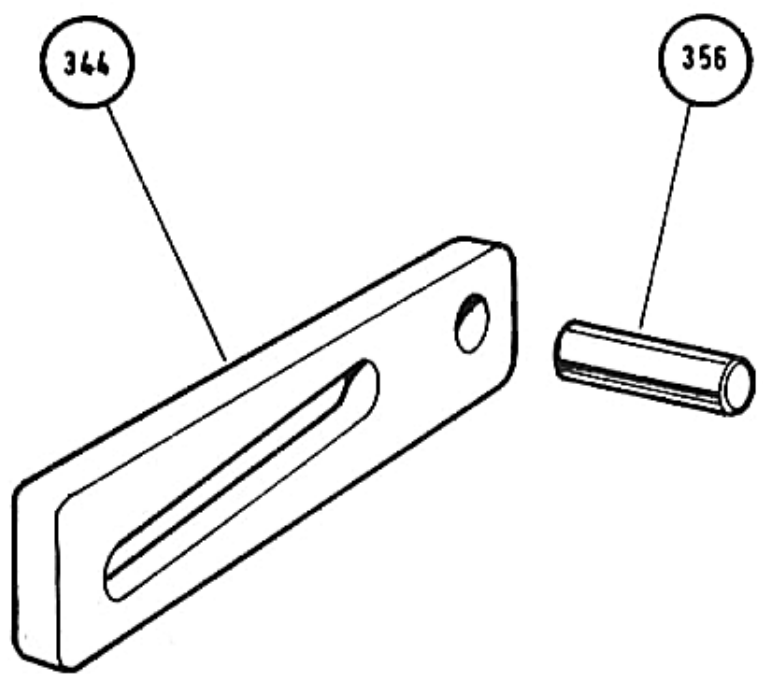
306E







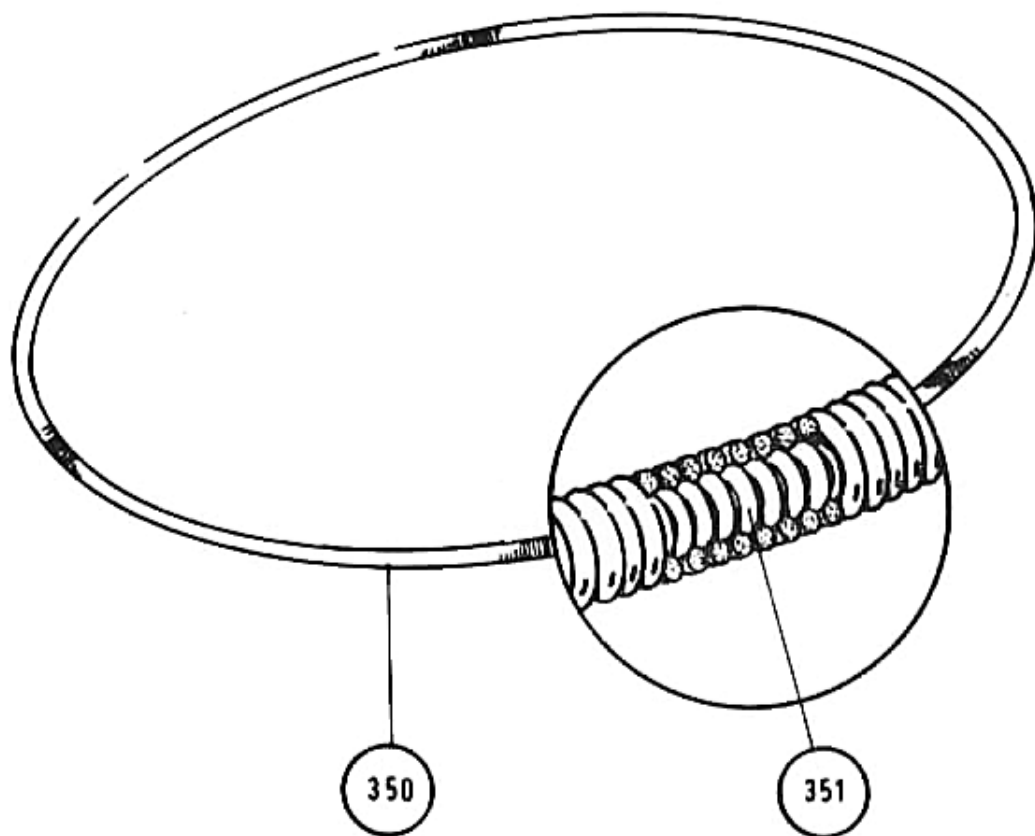




eclair-debrie organisation. ealing. w 13.

4

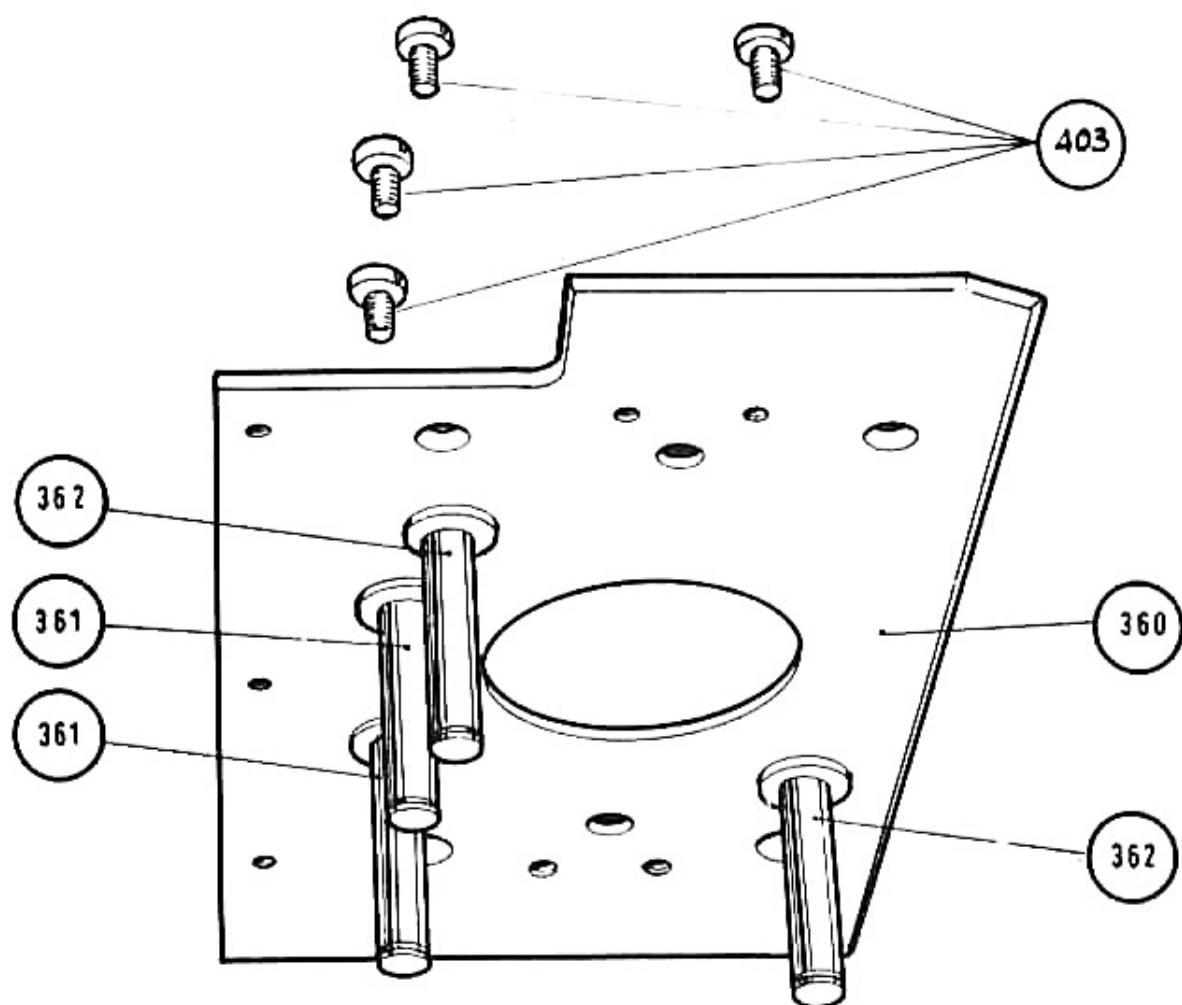
344^E



eclair-debne organisation. ealing. w 13.

4

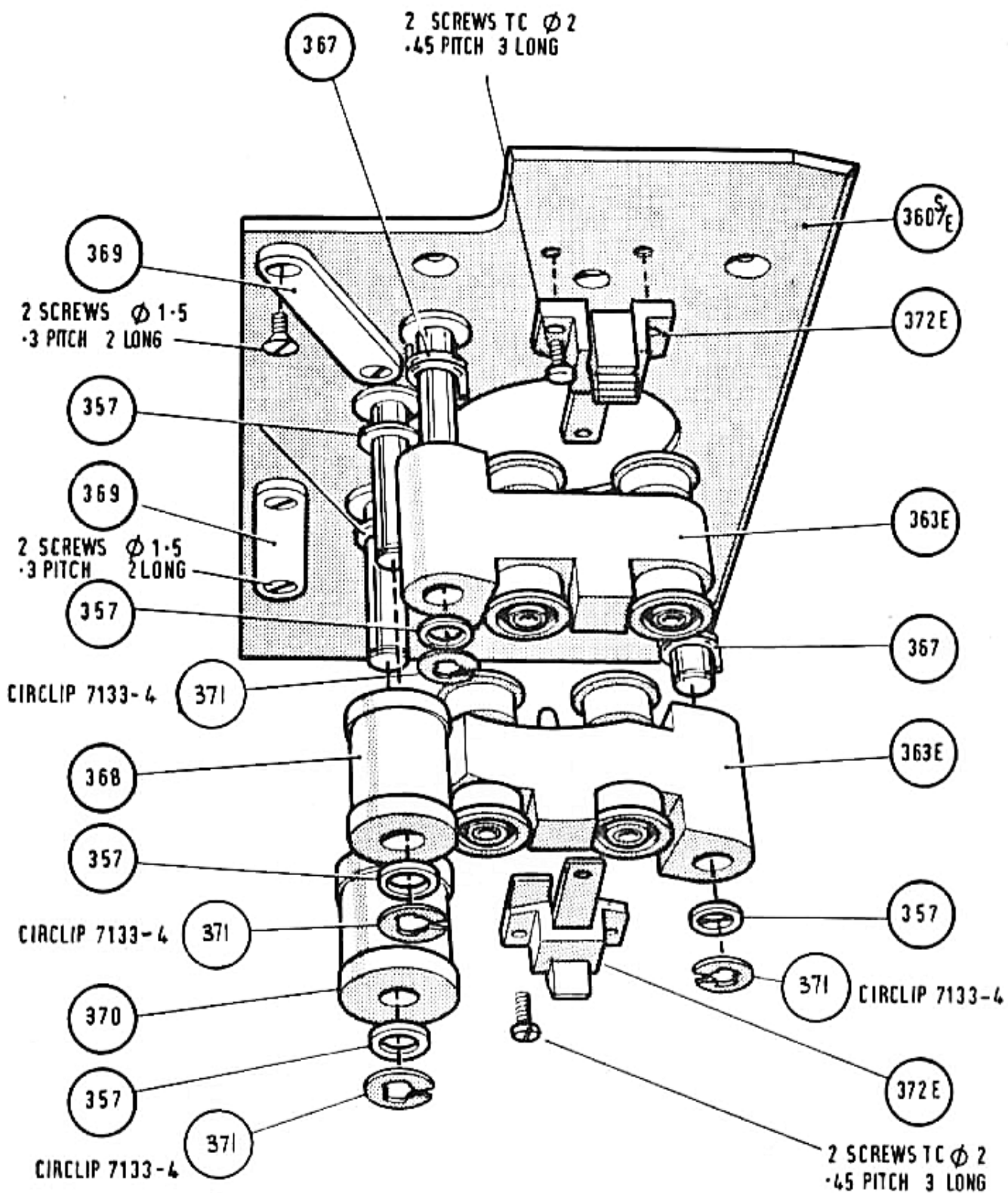
350^E

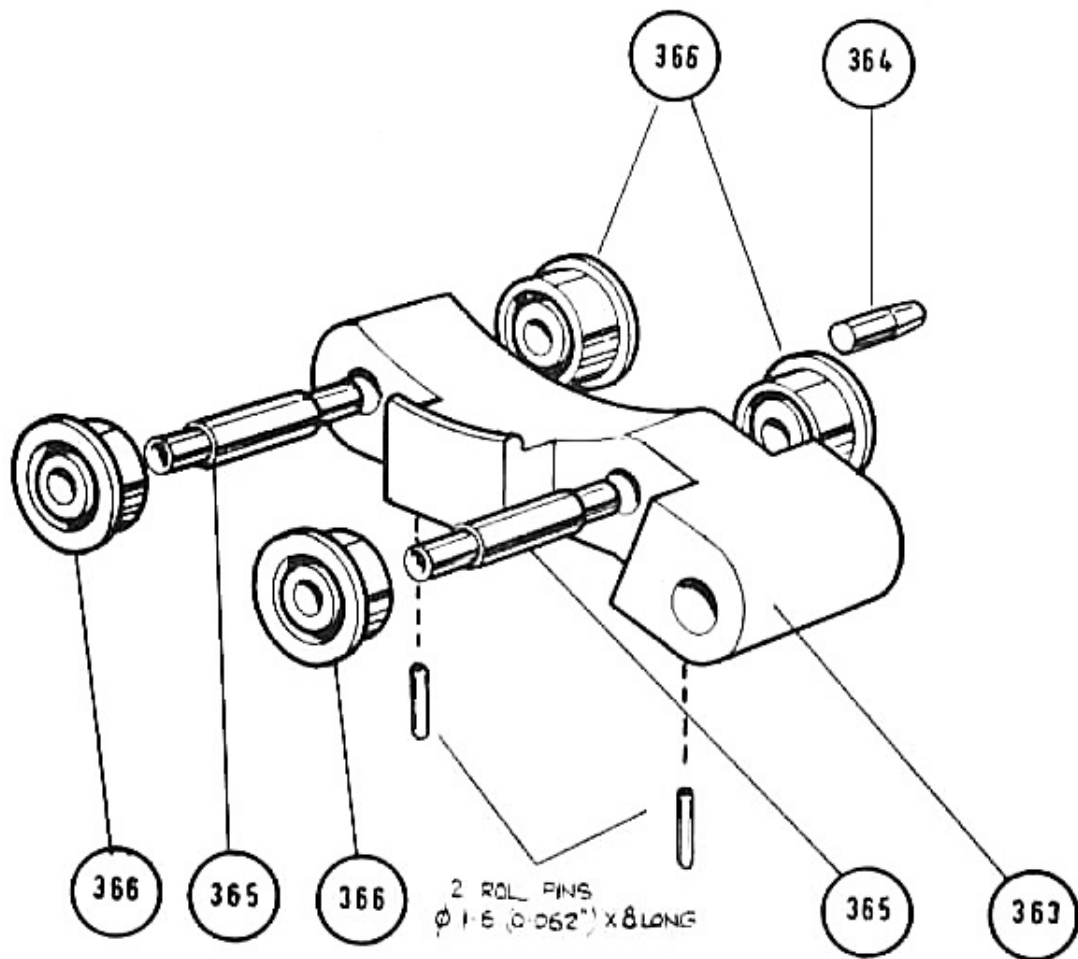


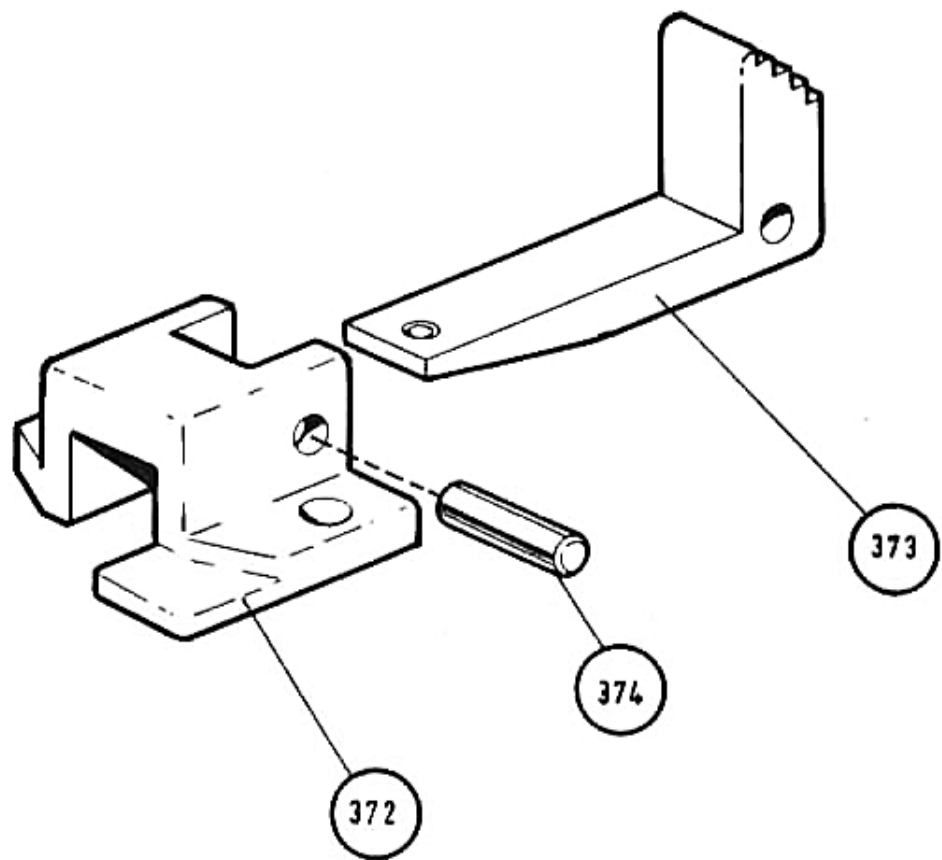
eclair-debne organisation. ealing. w 13.

2

360^{S/E}

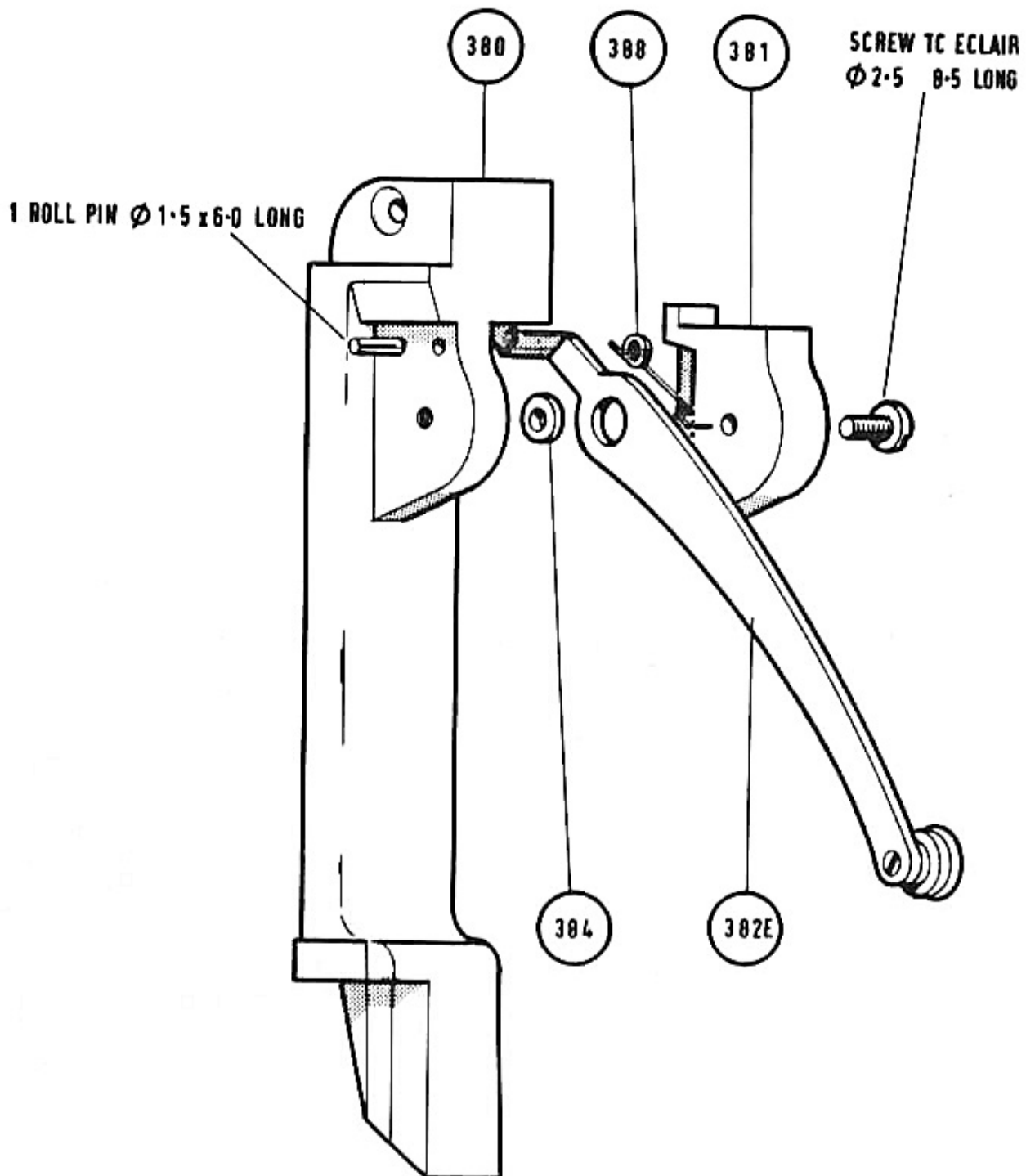






eclair-debne organisation. ealing. w 13.

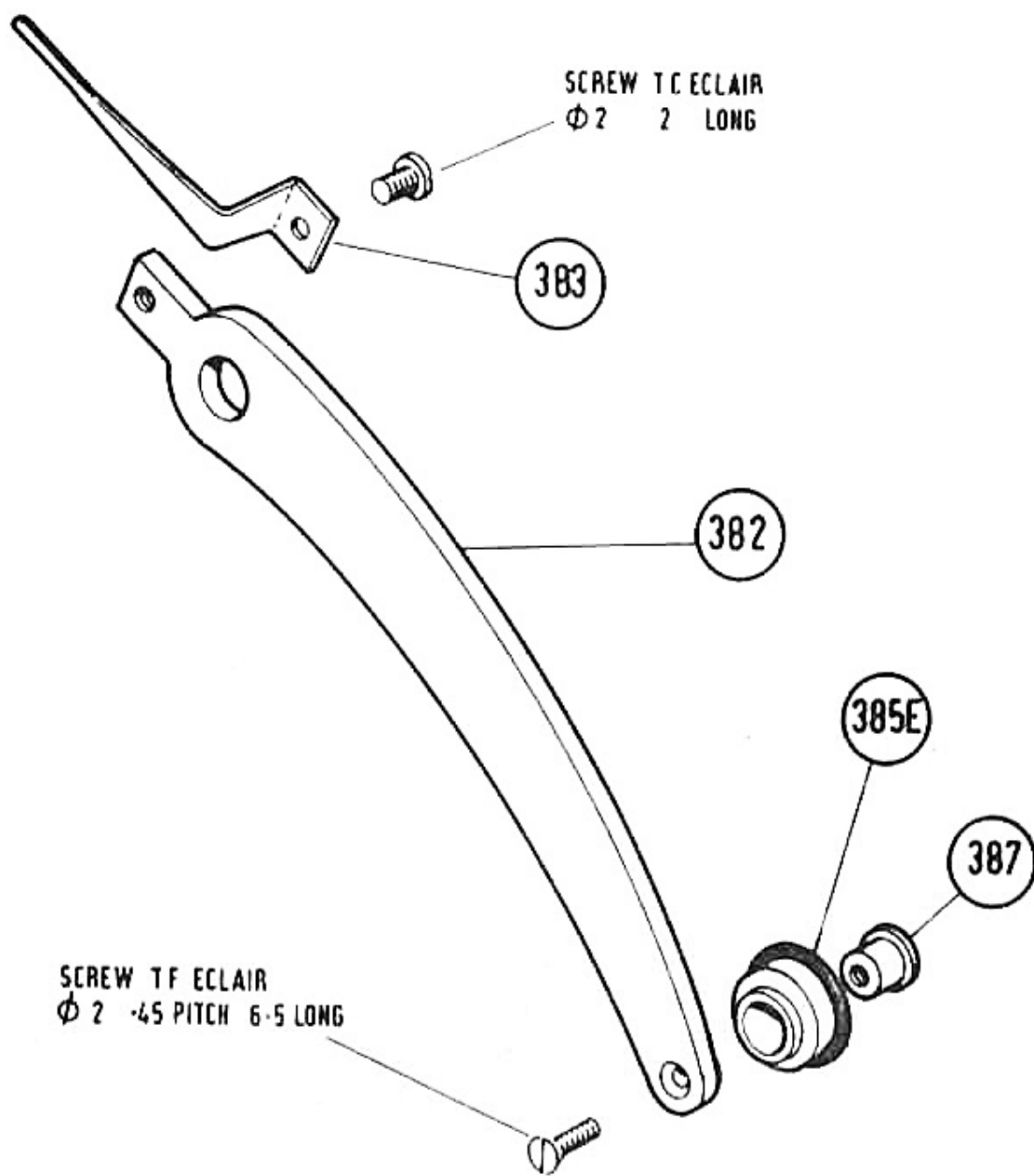
4	372E		



eclair-debrie organisation. ealing. w 13.

3

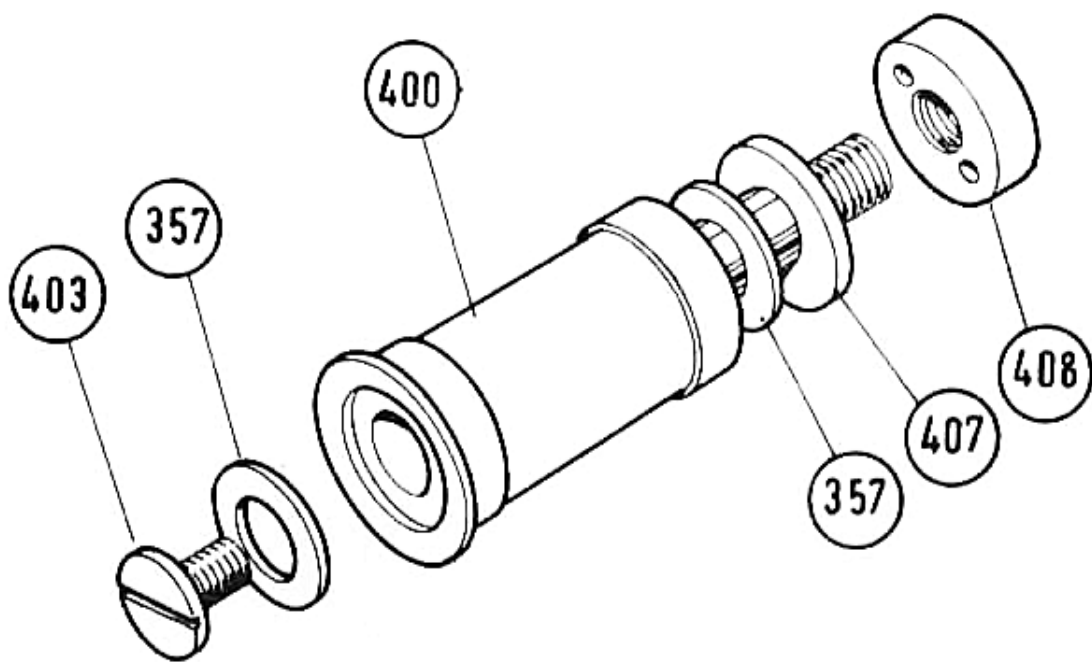
380E



eclair-debne organisation. ealing. w 13.

3

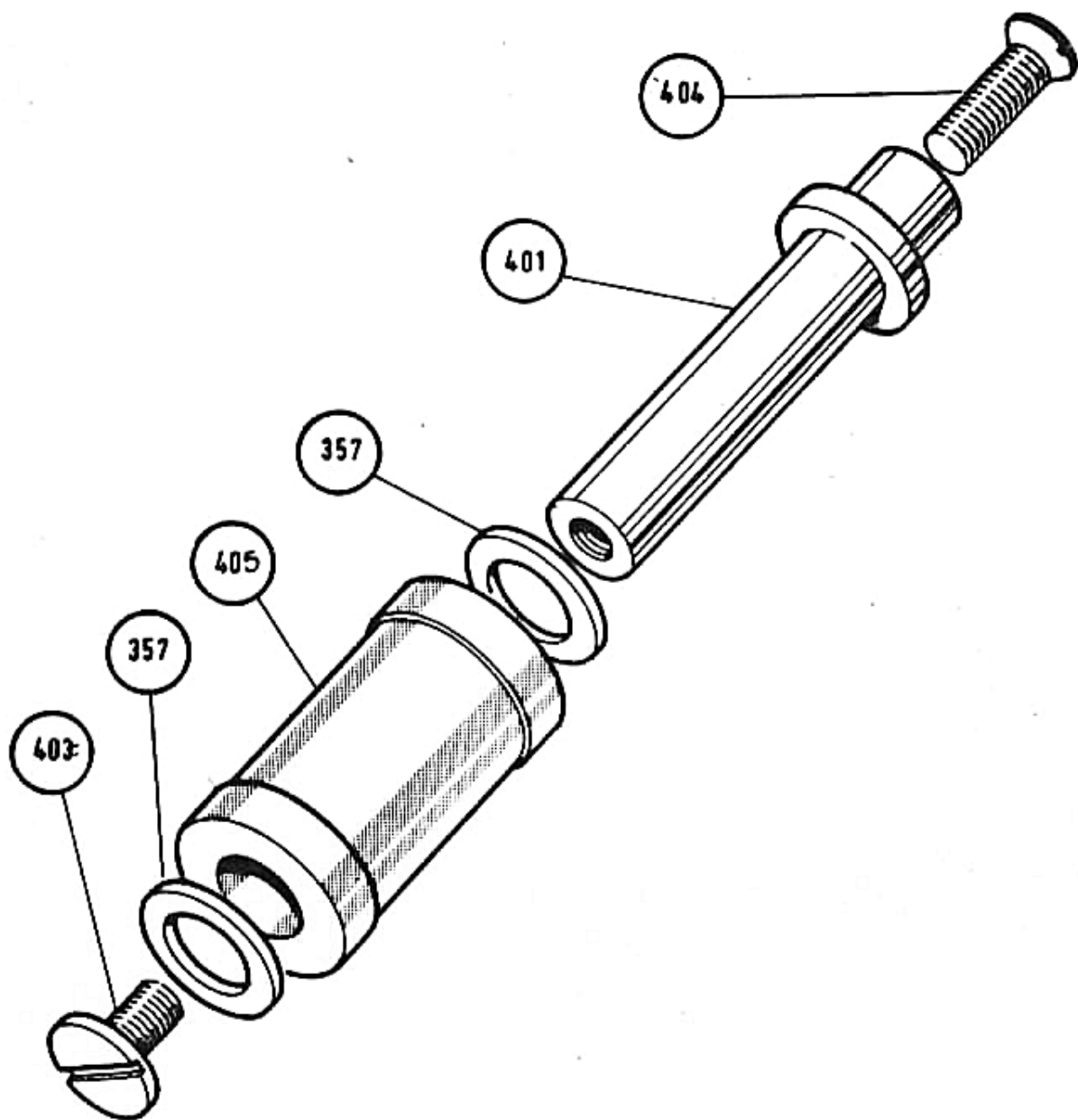
382E



eclair-debrie organisation. ealing. w 13.

4

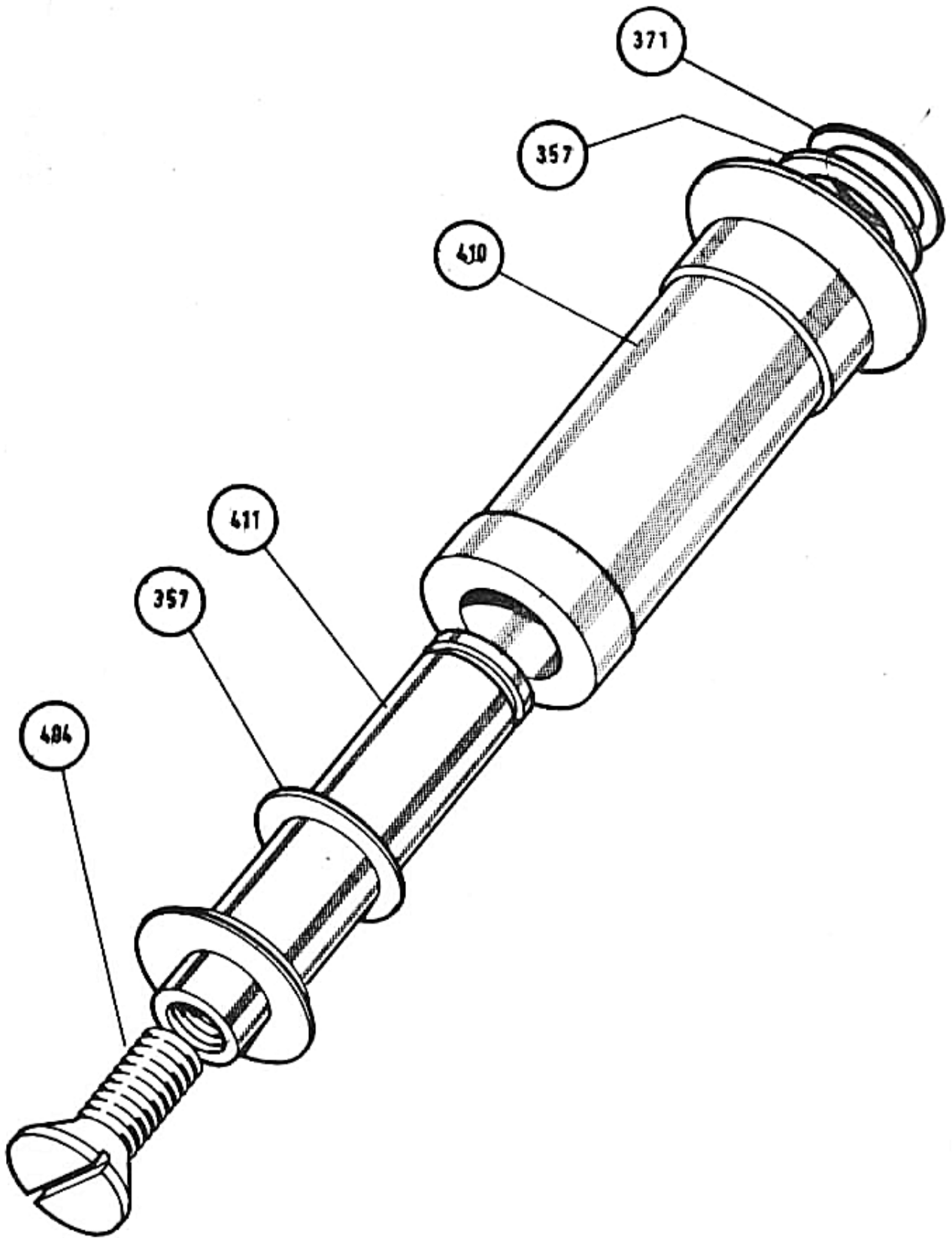
400E



eclair-debne organisation. ealing. w 13.

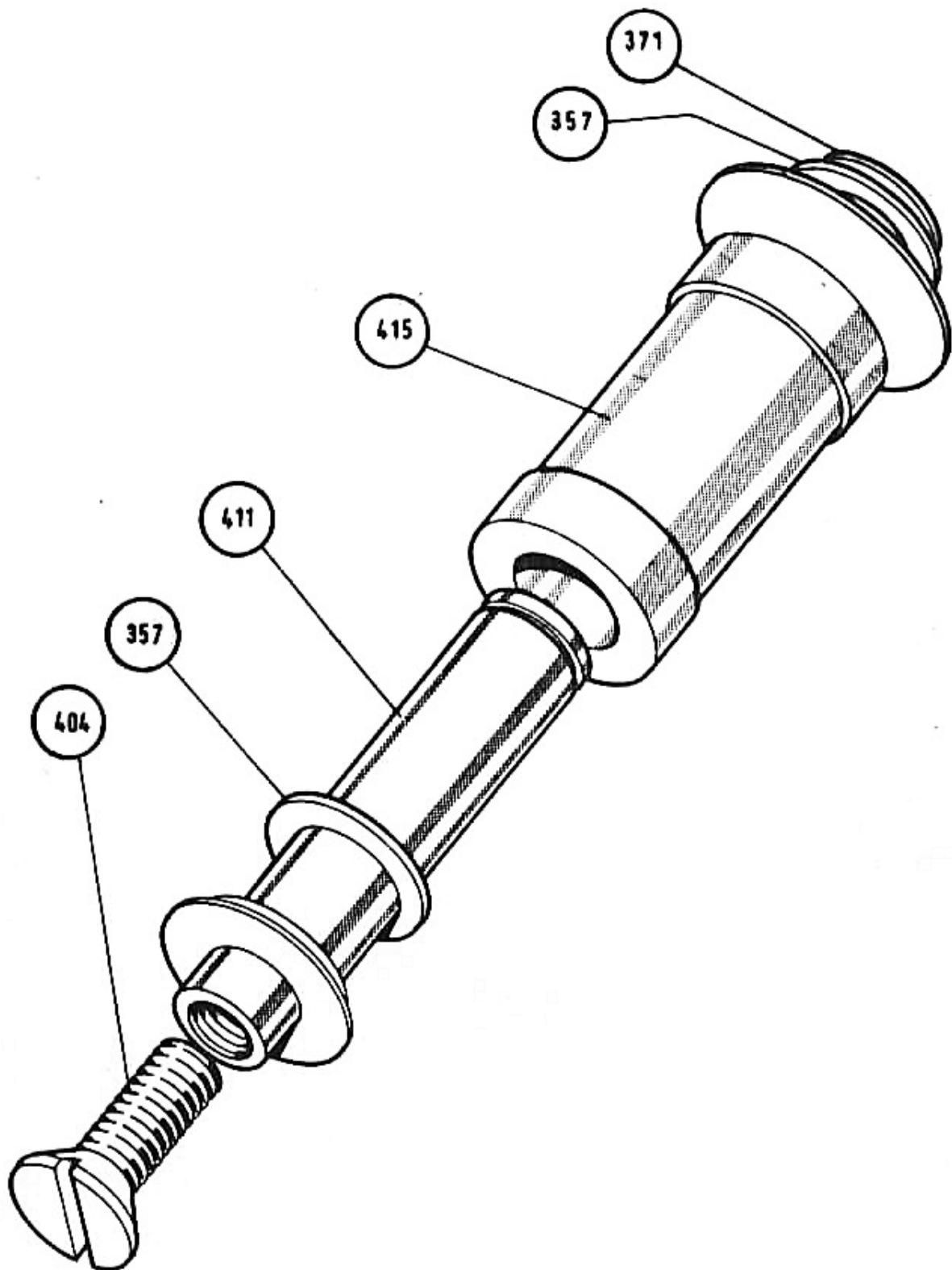
4

405^E



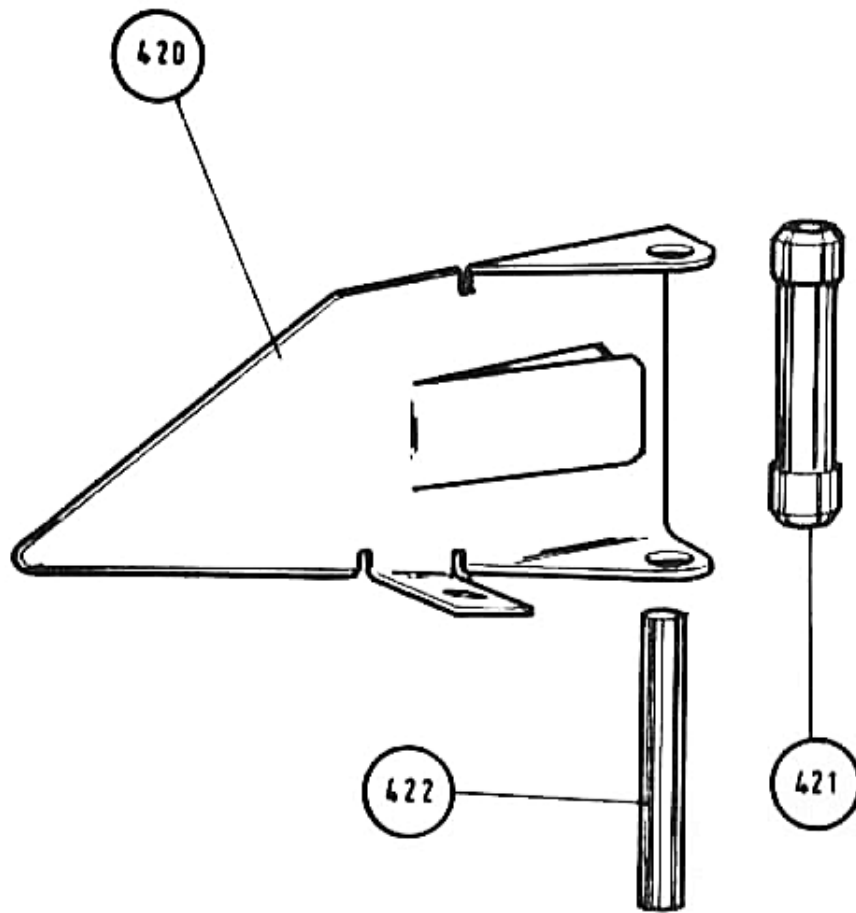
eclair-debne organisation. ealing. w 13.

4	410 ^E		



eclair-debne organisation. ealing. w 13.

4	415 ^E		



eclair-debrie organisation. ealing. w 13.

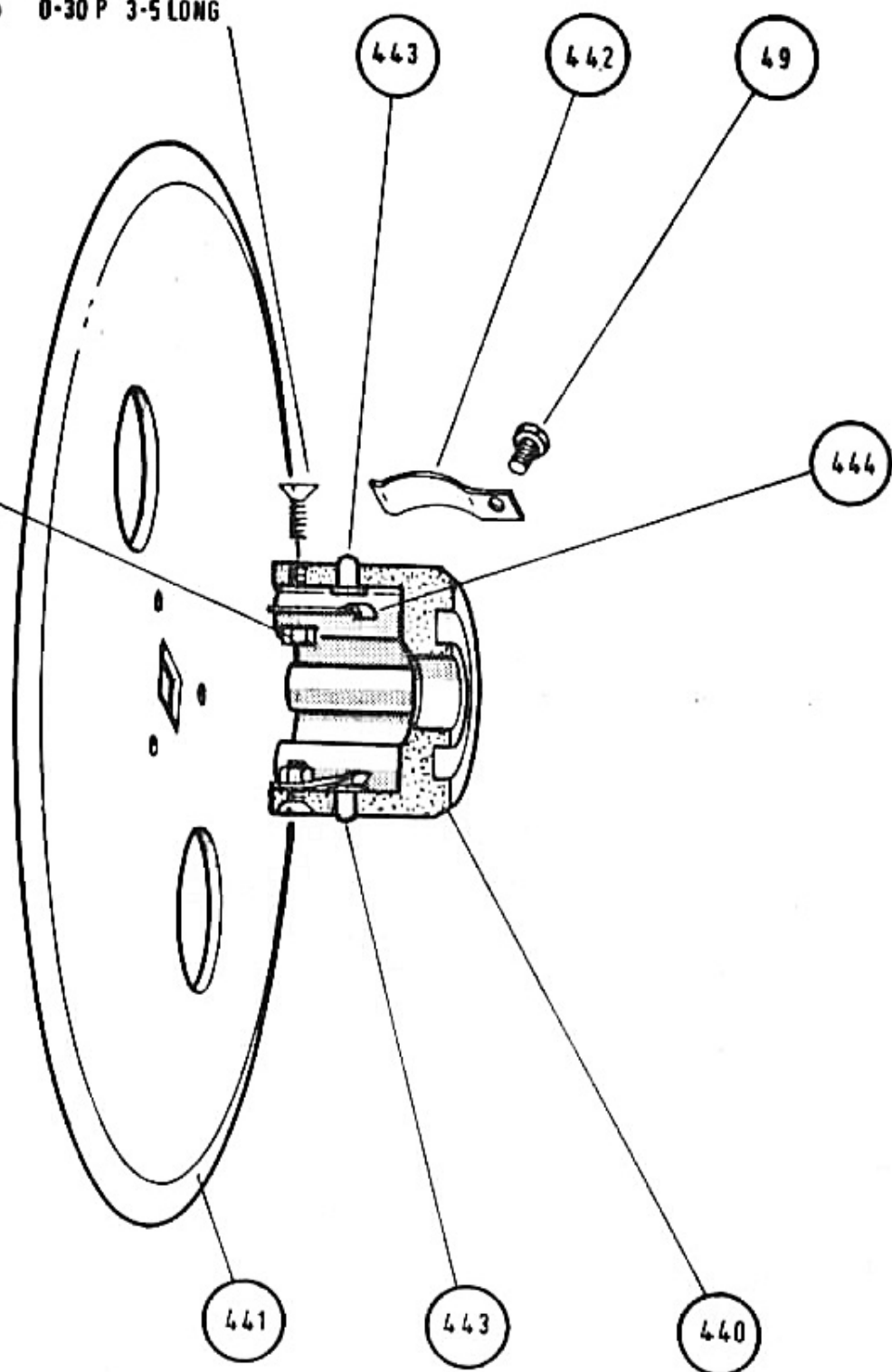
4

420E

2 SCREWS TF ECLAIR
Ø 1.5 0-30 P 3-5 LONG

2 LOCKNUTS Ø 1.5

3 SCREWS TF ECLAIR
Ø 2 0-45 P 5 LONG

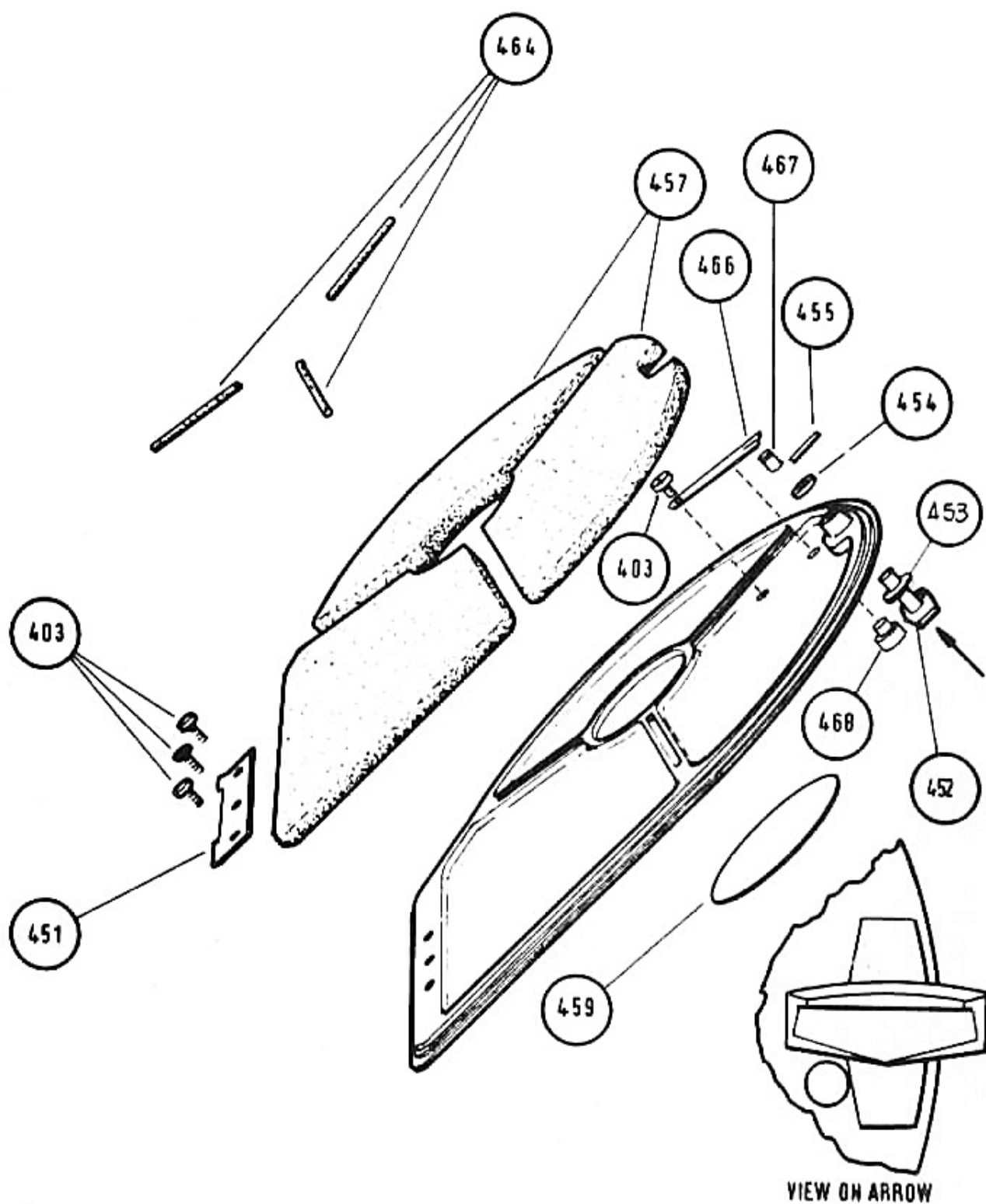


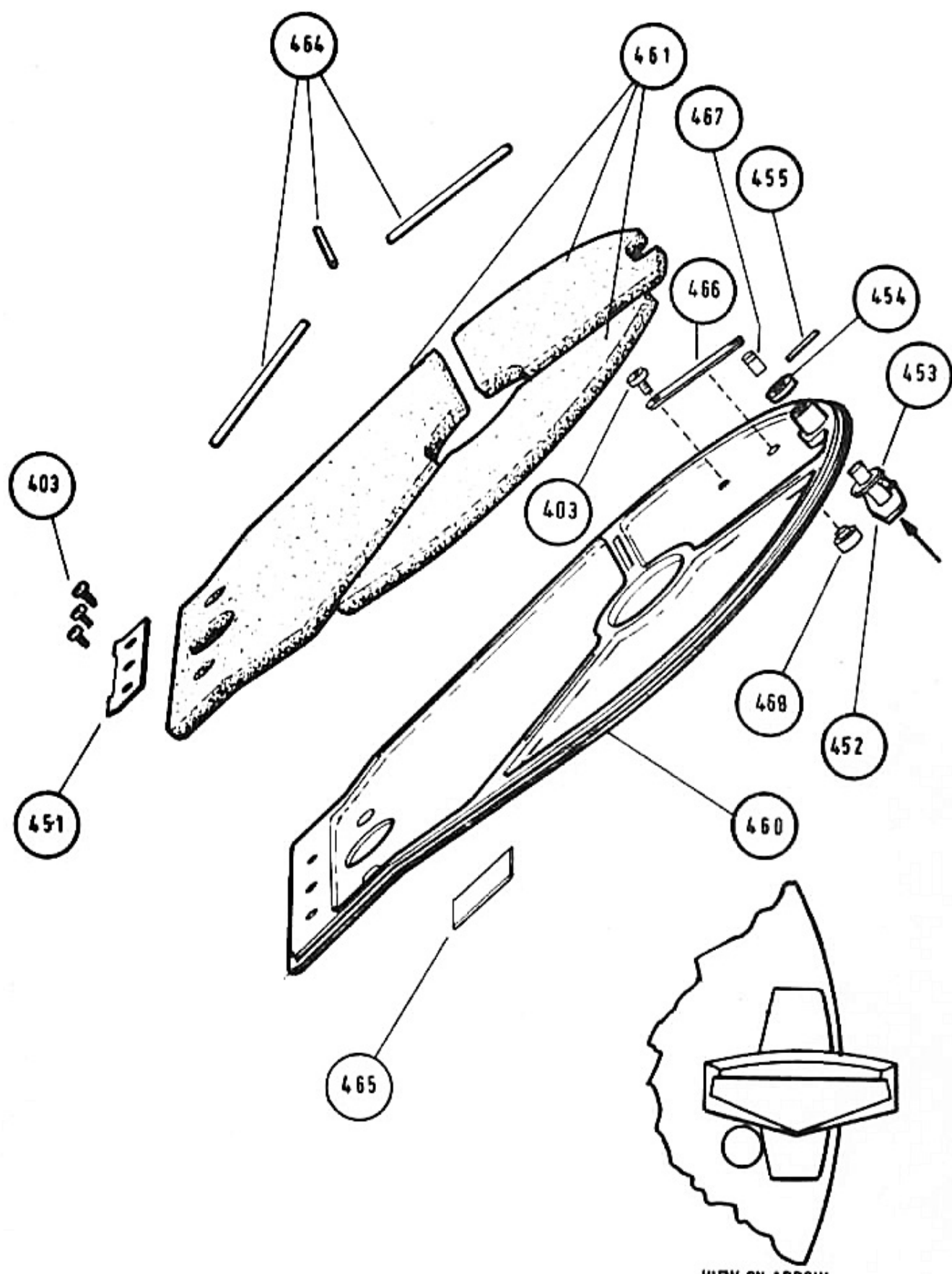
eclair-debrie organisation. ealing. w 13.

2

440^E

2	440 ^E		





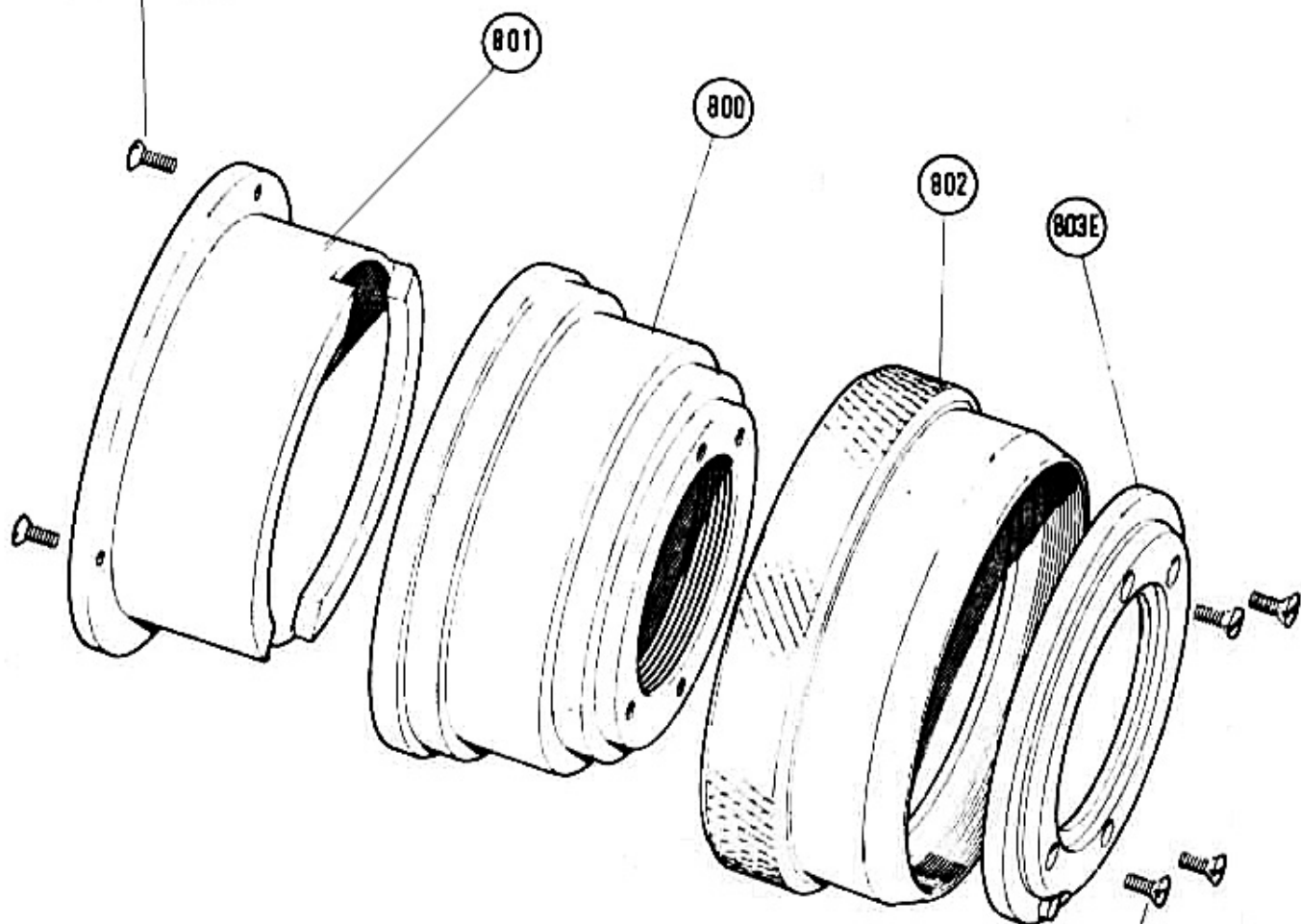
eclair-debne organisation. ealing. w 13.

2

460E

--	--	--	--

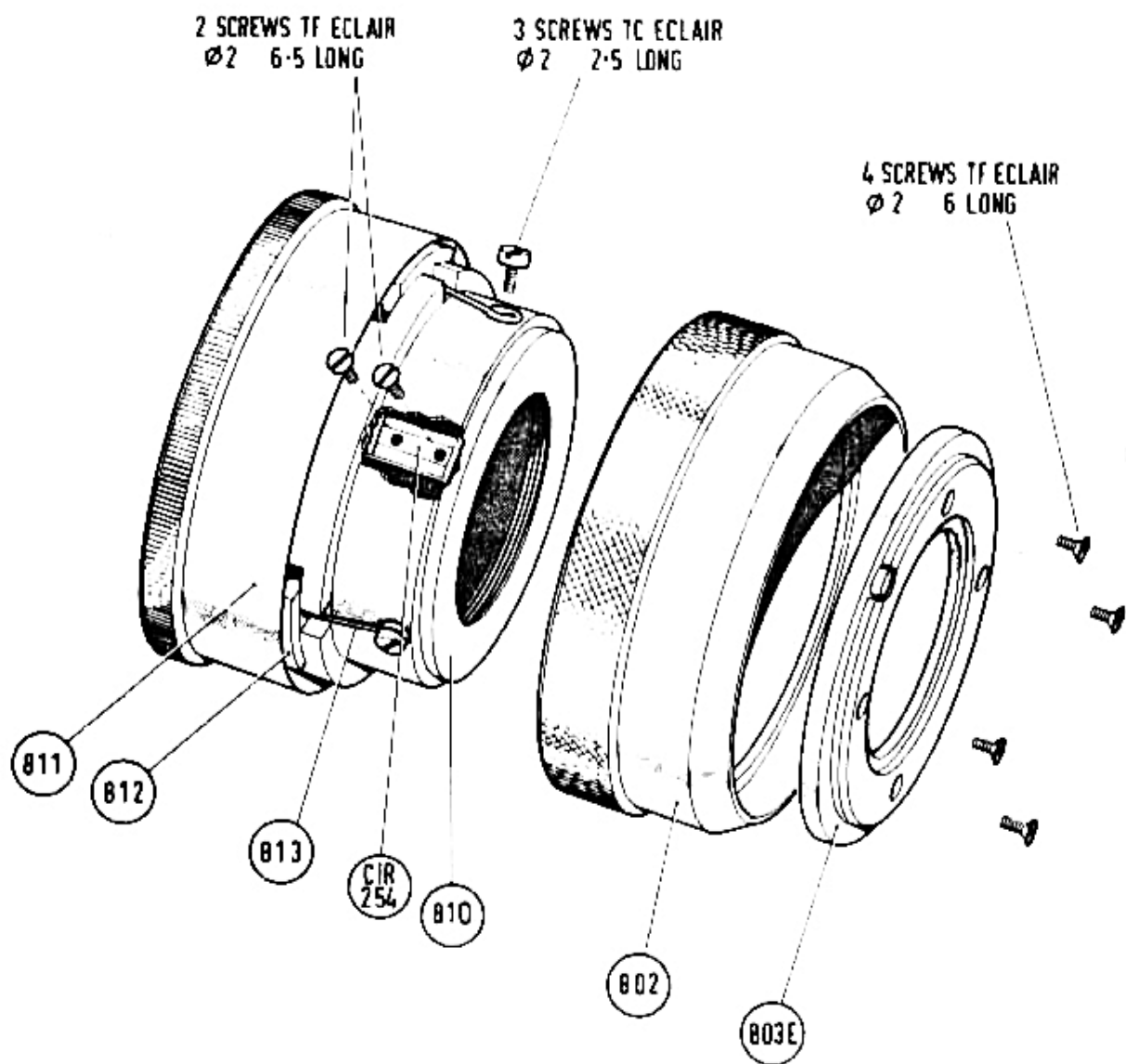
3 SCREWS ECLAIR TF
Ø2 6 LONG



4 SCREWS ECLAIR TF
Ø2 6 LONG

eclair-debrie organisation. ealing. w 13.

800^E



eclair-debne organisation. ealing. w 13.

810^E